

PRODUCT BULLETIN

greenteQ Sigma Hybrid Door Hinge



greenteQ

Hybrid Door Hinge for PVCu Doors

The greenteQ Sigma Hybrid door hinge combines the strength and adjustability of a flag hinge with the unobtrusive slim design of an edge-fit butt hinge.

It is easy to fit on the bench, without the need to remove the sash from the frame and its 2-knuckle construction is ideal for those who are not keen on lift-off hinges.

A strong connection to the door is assured with 3 screw fixings and two 8mm diameter support pins on the frame body, and 4 screw fixings and 2 further support pins on the flag/sash cover.

There is ample 3D adjustment (lateral & height +/- 4mm, compression +/- 1mm) without the need to remove the door, and 2 hinges can carry a sash weight of 80Kg.

Contoured underpackers are available for many ovolo or chamfered sash profiles.

Sash upstands of between 13-24mm can be achieved without the need for additional frame packers.

The hinge pin is secured by a stainless steel grub screw so Sigma Hybrid is suitable for inward AND outward doors.

Sigma Hybrid is available in 11 attractive finishes to complement most door colours.

Benefits at a glance:

- Ample 3D adjustment
- 80Kg sash weight
- 13-24mm sash upstand (no frame packers)
- 11 colours to match and complement greenteQ Suite
- Suits inward and outward opening doors
- Tested to BS EN 1670 Grade 5 (corrosion resistance)
- 10 year greenteQ guarantee
- Q-secure PREMIUM approved product
- Secured by Design approved product



VBH (GB) Ltd
VBH House, Bailey Drive,
Gillingham Business Park,
Gillingham, Kent
ME8 0WG
Tel: 01634 263263
Email: sales@vbhgb.com
www.vbhgb.com
Shop: www.vbhgb24.com



Sigma Hybrid Door Hinge greenteQ

Order Numbers

Combine a Frame Body and Flag/Sash Cover to achieve your profile's sash upstand dimension

Description	White RAL9016	Brown RAL8019	Tan RAL8003	Black RAL9005	PVD Gold	Polished Chrome	Satin Chrome	Box Qty
Frame Body 16.5mm	2QHH0001	2QHH0002	-	-	2QHH0005	-	2QHH0007	30
Frame Body 20.5mm	2QHH0021	2QHH0022	2QHH0023	2QHH0024	2QHH0025	2QHH0026	2QHH0027	30

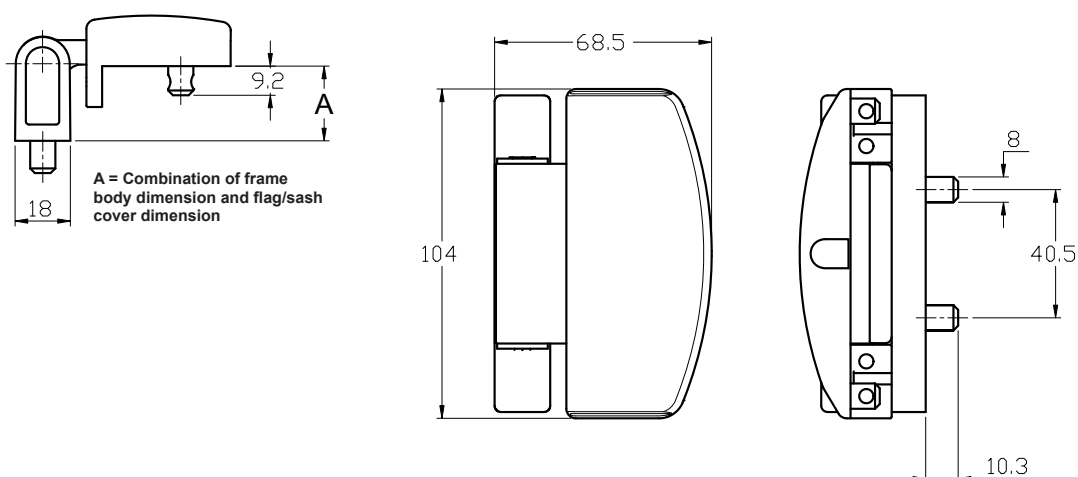
Description	White RAL9016	Brown RAL8019	Tan RAL8003	Black RAL9005	PVD Gold	Polished Chrome	Satin Chrome	Box Qty
Flag/Sash Cover +/-0.5mm	2QHH0041	2QHH0042	2QHH0043	2QHH0044	2QHH0045	2QHH0046	2QHH0047	30
Flag/Sash Cover +/-1.5mm	2QHH0061	2QHH0062	2QHH0063	2QHH0064	2QHH0065	2QHH0066	2QHH0067	30
Flag/Sash Cover +/-2.5mm	2QHH0081	-	-	2QHH0084	2QHH0085	2QHH0086	2QHH0087	30
Flag Sash Cover +/-3.5mm	2QHH0101	2QHH0102	-	2QHH0104	-	2QHH0106	-	30

Hinge with 20.5mm Frame Bearing (Select code according to profile upstand)

The following finishes are available to order using just one item code.

Colour	Upstand Variance	20/21mm Upstand	Upstand Variance	19/22mm Upstand
RAL9001 Cream	+/- 0.5mm	2QHH2081	+/- 1.5mm	2QHH2101
14-C-35 Iceplant Green**	+/- 0.5mm	2QHH2082	+/- 1.5mm	2QHH2102
RAL7016 Anthracite Grey	+/- 0.5mm	2QHH2083	+/- 1.5mm	2QHH2103
RAL8017 Chocolate Brown	+/- 0.5mm	2QHH2087	+/- 1.5mm	2QHH2107

**Matches Chartwell Green



Order online at www.vbhgb24.com