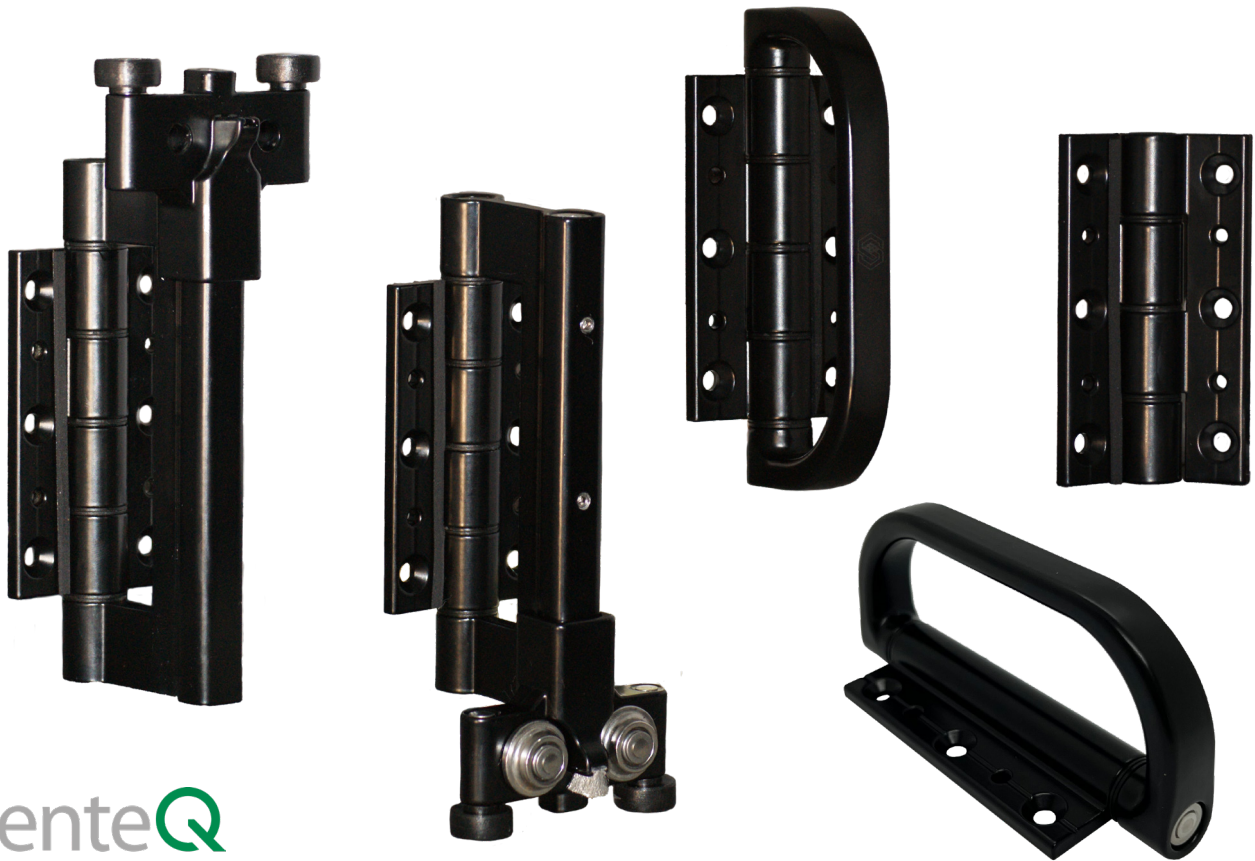


PRODUCT BULLETIN

greenteQ Clearspan Bi-fold Door Hardware



greenteQ

The Complete Solution for Sheerline Bi-Fold Doors

greenteQ Clearspan bi-fold door hardware has proved immensely popular since its launch in 2013.

Manufacturers, installers and end-users alike instantly recognise the many features and benefits that make Clearspan stand out from the crowd.

Manufacturers remark how easy the product is to fit, with minimal routing of the profile; installers appreciate the handy vertical adjustment on the roller assemblies that make installation so much easier and quicker, and end users love the smooth operating action and unobtrusive nature of the slimline hardware that shows off the clean lines of the aluminium profile.

The Sheerline solution includes 3 colour options, intermediate door locks, all furniture, magnetic catches and profile cylinders in 3 security levels.

This document aims to give an overview of our Clearspan solution for Sheerline bi-fold doors.

Benefits at a glance:

- Profile - specific design ensures all parts fit the Sheerline aluminium profile perfectly
- Slimline hardware is unobtrusive and maximises the clean lines of the door
- 3 attractive finishes: Black, White and Anthracite Grey
- 5mm vertical adjustment on the **full** roller makes the installer's job easier
- Intermediate lock works with Clearline handles to secure the whole door
- Orion profile cylinders provide TS007 3-star protection
- Magnetic catches hold the sashes together in the open position
- Alpha Slim door handles provide a perfect match or an eye-catching contrast to the door colour
- Q-secure PREMIUM approved product
- Secured by Design approved product



VBH (GB) Ltd
VBH House, Bailey Drive,
Gillingham Business Park,
Gillingham, Kent
ME8 0WG
Tel: 01634 263263
Email: sales@vbhgb.com
www.vbhgb.com
Shop: www.vbhgb24.com



greenteQ Clearspan Bi-fold Door Hardware

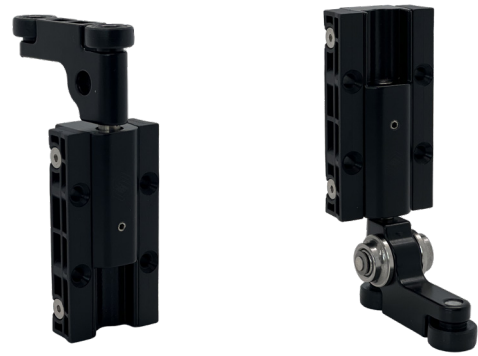
The Complete Solution for Sheerline Bi-Fold Doors

Top Guide and Bottom Roller



Description	White RAL9016	Black RAL9005	Anth.Grey RAL7016	Box Qty
Top Guide	4QBF1706	4QBF1707	4QBF1708	10
Bottom Roller	4QBF1736	4QBF1737	4QBF1738	10

Top Half Guide and Bottom Half Roller



Description	Black RAL9005	Box Qty
Top Half Guide	4QBF1712A	10
Bottom Half Roller	4QBF1742A	10

Hinge



Description	White RAL9016	Black RAL9005	Anth.Grey RAL7016	Box Qty
Hinge	4QBF1766	4QBF1767	4QBF1768	50

Hinge with Pull Handle



Description	White RAL9016	Black RAL9005	Anth.Grey RAL7016	Box Qty
Hinge with Pull	4QBF1721	4QBF1722	4QBF1727	25
	Black/ PVD Gold	Black/ Pol Chrome	Black/ Satin Chrome	Box Qty
	4QBF1723	4QBF1724	4QBF1725	25

Half Hinge Pulls



Description	White RAL9016	Black RAL9005	Anth.Grey RAL7016	Box Qty
Half Hinge Pull	4QBF1791	4QBF1792	4QBF1797	25

greenteQ Clearspan Bi-fold Door Hardware

The Complete Solution for Sheerline Bi-Fold Doors

Alpha Slim Lever/Lever



- 92PZ
- 2 screw fix on 250mm backplate (220mm backplate also available)
- Sprung lever
- Flange around cylinder hole for gap elimination
- M6 screws for added strength
- Non handed
- 20 year greenteQ surface guarantee
- Q-secure PREMIUM approved product
- Secured by Design approved product

Finish	VBH Code	Box Qty
White (RAL9016)	2QHB0321	12
Black (RAL9005)	2QHB0324	12
Anthracite Grey (RAL7016)	2QHB0330	12
Polished Chrome	2QHB0326	12
Satin Chrome	2QHB0327	12
Anthracite Grey	2QHB0330	12

20
Years

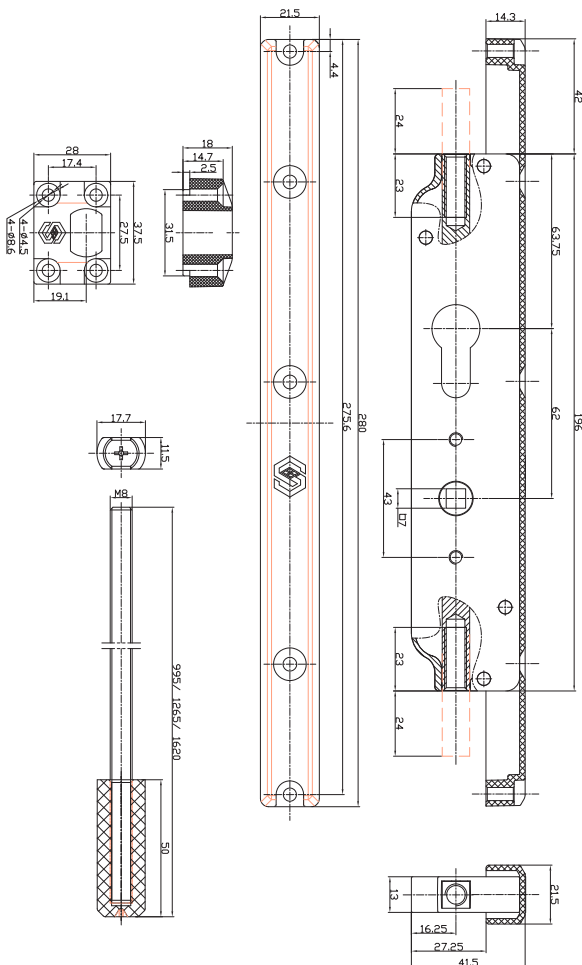


Secured by Design



Police Preferred Specification

Intermediate Lock



Intermediate Lock

- Locking system for intermediate meeting points
- Robust gearbox is covered by attractive black cover
- Shootbolt ends are pre-assembled onto strong 8mm threaded rod
- Shootbolt end is tapered for smooth lead-in
- 24mm bolt throw
- 10 year mechanical guarantee
- Q-secure PREMIUM approved product
- Secured by Design approved product

Description	VBH Code	Box Qty
Intermediate Gearbox	4QBF1751	25
Intermediate Gearbox Cover (Black)	4QBF1752	100
Standard Shootbolt End Guide	4QBF1753A	100
995mm Shootbolt Rod	4QBF1756	100
1265mm Shootbolt Rod	4QBF1757	100
1620mm Shootbolt Rod	4QBF1758	100
Security Shootbolt End	4QBF1755A	50

One set comprises 1 x gearbox, 1 x gearbox cover, 2 end guides, 2 shootbolt rods, and 2 x security shootbolt ends

10
Years

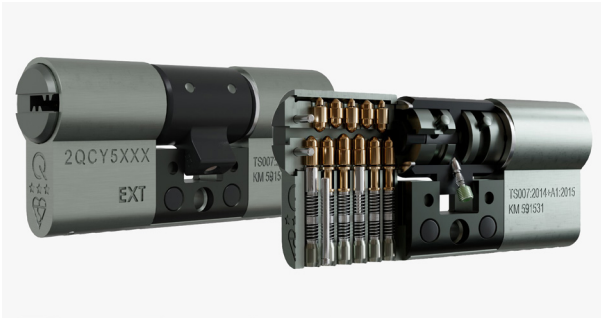


Police Preferred Specification

greenteQ Clearspan Bi-fold Door Hardware

The Complete Solution for Sheerline Bi-Fold Doors

Orion 3 Star Cylinder (1 Star & Standard Levels Also Available)

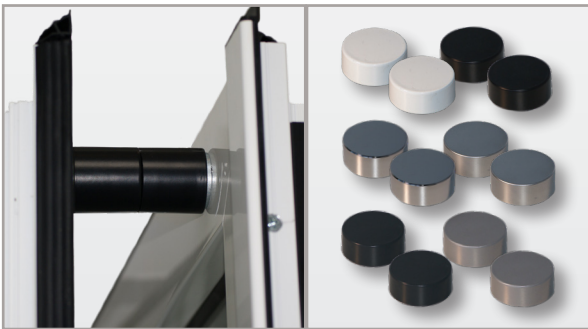


- TS007 Kitemark 3 star profile cylinder (KM591531)
- Protects against bumping, drilling, picking and snap & extract
- Supplied with 5 attractive dimple keys
- Minimum 100,000 differs
- Security AND safety assured
- Key/key, thumb-turn and keyed alike
- 10 year performance warranty
- 10 proteQ10 guarantee pays out £2000 if a break in is achieved as a direct result of the cylinder snapping
- Key Security Scheme provides protection against keys being fraudulently obtained
- Q-secure PREMIUM PLUS approved product
- Secured by Design approved product

Size	Nickel	Brass	Box Qty
45/45 (for main door)	2QCY5037	2QCY5038	10



Magnetic Catches



- Holds back sashes on Clearspan bi-fold doors
- Supplied complete with 2 fixing methods for aluminium doors
- Available in 2 heights and 6 colours
- Discreet appearance – only 30mm diameter
- 20 year greenteQ surface guarantee
- Q-secure PREMIUM approved product
- Secured by Design approved product

Colour	26mm Catch Height	65mm Catch Height	Box Qty
White RAL9016	4QBF0031	4QBF0041	1 Pair
Black RAL9005	4QBF0032	4QBF0042	1 Pair
Anthracite Grey RAL7016	4QBF0037	4QBF0047	1 Pair
Silver (Window Grey) RAL7040	4QBF0038	4QBF0048	1 Pair
Polished Chrome	4QBF0034	4QBF0044	1 Pair
Satin Chrome	4QBF0035	4QBF0045	1 Pair



Please visit www.vbhg24.com to place orders.