

# PRODUCT BULLETIN

## greenteQ Clearspan Bi-fold Door Hardware



### The Complete Solution for A.L.U.K. BSF70 Bi-Fold Doors

greenteQ Clearspan bi-fold door hardware for BSF70 folding doors has proved immensely popular since its launch in 2015.

Manufacturers, installers and end-users alike instantly recognise the many features and benefits that make Clearspan stand out from the crowd.

Manufacturers remark how easy the product is to fit, with minimal routing of the profile; installers appreciate the handy vertical adjustment on the roller assemblies that make installation so much easier and quicker, and end users love the smooth operating action and unobtrusive nature of the slimline hardware that shows off the clean lines of the aluminium profile.

Since launching, we have introduced many new options and products to the range. These include locking systems for the main and intermediate door sashes, magnetic catches and restrictors.

This document aims to give an overview of what is now the complete Clearspan solution for BSF70 bi-fold doors.

#### Benefits at a glance:

- Profile - specific design ensures all parts fit perfectly
- Slimline hardware is unobtrusive and maximises the clean lines of the door
- 4 attractive finishes: Black, White, Anthracite Grey and Window Grey
- 5mm vertical adjustment makes the installer's job easier
- Lock set for main door provides secure locking and smooth operation through tapered hooks and linear bolts
- Intermediate lock works with Clearline handles to secure the whole door
- Magnetic catches hold the sashes together in the open position
- 90° restrictor prevents damage to main door or external brick work
- Alpha door handles in 10 colour options provide a perfect match or an eye-catching contrast to the door colour
- Orion cylinders provide TS007 3 star protection
- 10 year greenteQ guarantee
- Q-secure PREMIUM approved product
- Secured by Design approved product



VBH (GB) Ltd  
VBH House, Bailey Drive,  
Gillingham Business Park,  
Gillingham, Kent  
ME8 0WG  
Tel: 01634 263263  
Fax: 01634 263504  
Email: sales@vbhgb.com  
www.vbhgb.com  
Shop: www.vbhgb24.com



# greenteQ Clearspan Bi-fold Door Hardware

## The Complete Solution for A.L.U.K. BSF70 Bi-Fold Doors

### Top Guide



Finish	VBH Code	Box Qty
White (RAL 9016)	4QBF1201A	10
Black (RAL 9005)	4QBF1202A	10
Anthracite Grey (RAL 7016)	4QBF1203A	10
Window Grey (RAL 7040)	4QBF1204A	10

### Hinge with Pull Handle



Finish	VBH Code	Box Qty
White (RAL 9016)	4QBF1271	25
Black (RAL 9005)	4QBF1272	25
Anthracite Grey (RAL 7016)	4QBF1273	25
Window Grey (RAL 7040)	4QBF1274	25

### Bottom Roller



Finish	VBH Code	Box Qty
White (RAL 9016)	4QBF1231A	10
Black (RAL 9005)	4QBF1232A	10
Anthracite Grey (RAL 7016)	4QBF1233A	10
Window Grey (RAL 7040)	4QBF1234A	10

### Hinge



Finish	VBH Code	Box Qty
White (RAL 9016)	4QBF1261	50
Black (RAL 9005)	4QBF1262	50
Anthracite Grey (RAL 7016)	4QBF1263	50
Window Grey (RAL 7040)	4QBF1264	50

### Accessories

Description	VBH Code	Box Qty
Fixing Kit	4QBF1281	1
Floating Block	4QBF1291	1

# greenteQ Clearspan Bi-fold Door Hardware

## The Complete Solution for A.L.U.K. BSF70 Bi-Fold Doors

### Main Door Lock Kit



- Tapered hooks provide security and smooth closing
- Hook/linear bolt combination locking points provide excellent security
- Benefits from strong Yale branding
- Perfect partner for Clearspan bi-fold hardware
- Easy ordering with just one part number



Description	VBH Code
LH Yale Lock Kit Standard	4QBF1221
RH Yale Lock Kit Standard	4QBF1222
LH Yale Lock Kit Long	4QBF1223
RH Yale Lock Kit Long	4QBF1224

The correct handing is determined as follows;

LH Kit = LEFT hand hung OUTWARD or RIGHT hand hung INWARD opening door viewed from outside

RH Kit = RIGHT hand hung OUTWARD or LEFT hand hung INWARD opening door viewed from outside

### Alpha Slim Lever/Lever



Finish	VBH Code	Box Qty
White (RAL9016)	2QHB0321	12
Black (RAL9005)	2QHB0324	12
Anthracite Grey (RAL7016)	2QHB0330	12
Polished Chrome	2QHB0326	12
Satin Chrome	2QHB0327	12



### 90° Restrictor

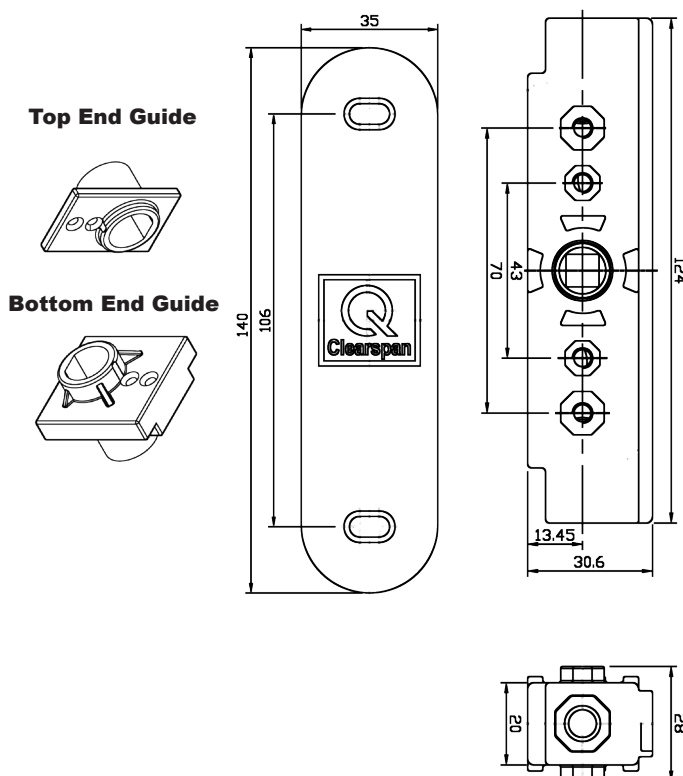
The restrictor sits in the top of the main passage door to restrict its opening angle, thus preventing the sash from opening against any external brickwork.

Description	VBH Code	Box Qty
335mm Restrictor	2QMA0103	50
500mm Restrictor	2QMA0106	50

# greenteQ Clearspan Bi-fold Door Hardware

## The Complete Solution for A.L.U.K. BSF70 Bi-Fold Doors

### Intermediate Lock



Locking system for intermediate meeting points  
 Robust gearbox is covered by attractive black Q-branded cover  
 Shootbolt ends are pre-assembled onto strong 8mm threaded rod  
 Shootbolt end is tapered for smooth lead-in  
 22mm bolt throw

#### Standard Option

Description	VBH Code	Box Qty
Intermediate Gearbox	4QBF1251	24
Intermediate Gearbox Cover (Black)	4QBF1252	100
1300mm Shootbolt Rod Assembly	4QBF1255	100
Shootbolt Top End Guide Standard	4QBF1253	100
Shootbolt Bottom End Guide Standard	4QBF1254	100

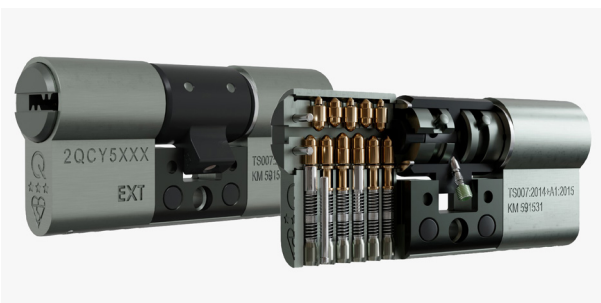
**One set comprises 1 x gearbox, 1 x gearbox cover, 2 shootbolt rods and a top and bottom end guide**

#### Intermediate Lock - Kits and Bulk

We also supply the Intermediate Lock System in kits and bulk quantities. By ordering using the codes below you will receive either 5 sets individually packed in kits, or enough components to gear 25 sashes.

Description	VBH Code	Unit Qty
Standard Individual Kit x 5	4QBF1225	5 Kits
Standard Bulk Packed Sets x 25	4QBF1226	25 Sets

### greenteQ Orion TS007 3-Star Profile Cylinder

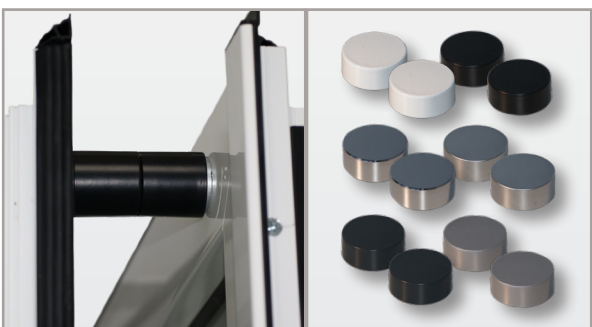


- TS007 Kitemark 3 star profile cylinder (KM591531)
- Protects against bumping, drilling, picking and snap & extract
- Supplied with 5 attractive dimple keys
- Minimum 100,000 differs
- Security AND safety assured
- Key/key, thumb-turn and keyed alike
- 10 year performance warranty
- 10 proteQ10 guarantee pays out £2000 if a break in is achieved as a direct result of the cylinder snapping
- Key Security Scheme provides protection against keys being fraudulently obtained
- Q-secure PREMIUM PLUS approved product
- Secured by Design approved product



Size	Nickel	Brass	Box Qty
45/50 (for main door)	2QC5039	2QC5040	10

### Magnetic Catches



- Holds back sashes on Clearspan bi-fold doors
- Supplied complete with 2 fixing methods for aluminium doors
- Available in 2 heights and 6 colours
- Discreet appearance – only 30mm diameter
- greenteQ 20 year surface guarantee

Colour	26mm Catch Height	65mm Catch Height	Box Qty
White (RAL 9016)	4QBF0031	4QBF0041	1 Pair
Black (RAL 9005)	4QBF0032	4QBF0042	1 Pair
Anthracite Grey (RAL 7016)	4QBF0037	4QBF0047	1 Pair
Window Grey (RAL 7040)	4QBF0038	4QBF0048	1 Pair
Polished Chrome	4QBF0034	4QBF0044	1 Pair
Satin Chrome	4QBF0035	4QBF0045	1 Pair



Order online at [www.vbhgb24.com](http://www.vbhgb24.com)