

PRODUCT BULLETIN

greenteQ Aspire Sprung Door Handles & Escutcheon Plates



greenteQ
architeQ

greenteQ Aspire Sprung Door Handles & Escutcheon Plates

The greenteQ Aspire Sprung Door Handles and Escutcheon Plates are designed for use on aluminium residential and bi-fold doors.

Part of the architeQ range of grade 304 stainless steel window and door furniture, it is finished in a choice of eight colours to match or complement doors in any RAL colour. The escutcheon plate is finished in the same colour options, which are listed overleaf.

The handles are individually packed, complete with M5 fixing bolts. The bolts are fully concealed by a pre-assembled snap-on grade 304 stainless steel cover plate when fitted. The spindle is supplied separately and is dependant on the profile and lock used.

The strong spring ensures that the lever always returns to the 90° position.

The escutcheons require no screw fixings. Each features two concealed fixing lugs which securely hold the plate in place when knocked into pre-drilled holes on the sash profile.

The handles and escutcheons are covered by the architeQ 25 year surface guarantee.

Benefits at a glance:

- Sprung levers always return to 90° position
- Escutcheon plates stand off sash profile by only 4mm
- Part of the architeQ range
- 8 attractive finishes match or complement any RAL colour door
- Handle is supplied with fixing bolts
- Concealed fixing systems
- Grade 304 stainless steel construction
- 25 year architeQ surface guarantee

Ordering details can be found overleaf.

25
Years

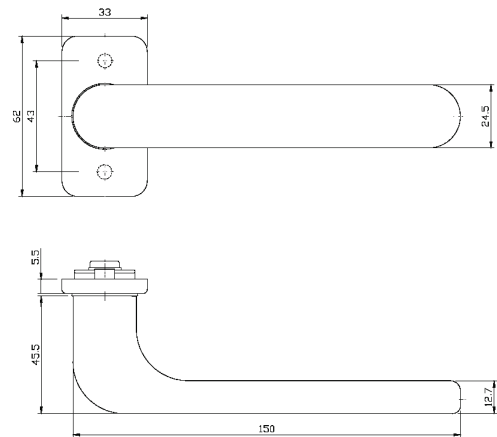
Aspire Sprung Door Handles & Escutcheon Plates

greenteQ

VBH Order Codes

Colour	VBH Code	Box Qty
White (RAL 9016)	2QHB4761	40
Anthracite Grey (RAL 7016)	2QHB4762	40
Window Grey (RAL 7040)	2QHB4763	40
Black (RAL 9005)	2QHB4764	40
PVD Gold	2QHB4765	40
Polished Stainless Steel	2QHB4768	40
Brushed Stainless Steel	2QHB4769	40
Brushed Graphite	2QHB4770	40

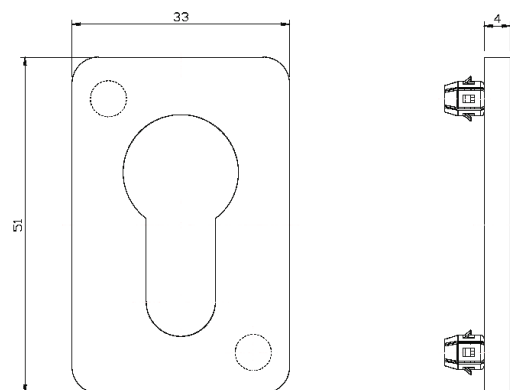
Dimensions



VBH Order Codes

Colour	VBH Code	Box Qty
White (RAL 9016)	2QHB4781	40
Anthracite Grey (RAL 7016)	2QHB4782	40
Window Grey (RAL 7040)	2QHB4783	40
Black (RAL 9005)	2QHB4784	40
PVD Gold	2QHB4785	40
Polished Stainless Steel	2QHB4788	40
Brushed Stainless Steel	2QHB4789	40
Brushed Graphite	2QHB4790	40

Dimensions



Please visit www.vbhgb24.com to place orders.