

PRODUCT BULLETIN

architeQ Cylinder Pulls & Circular Escutcheons



architeQ Cylinder Pulls & Circular Escutcheons

architeQ Cylinder Pulls and Circular Escutcheons are the perfect products for composite and wooden door manufacturers making doors with high level Euro profile cylinder positions. The circular escutcheon can also be used on doors fitted with mortice locks that require a separate lever and cylinder escutcheon.

Our Cylinder Pull shrouds the profile cylinder but provides a 20mm underhang to enable the user to pull the door closed or open. This is ideal where there is no other means to pull the door such as a pull handle or pad, and discourages misuse of the profile cylinder's key or the letterbox flap.

The Circular Escutcheon has no underhang. It is fully circular with a 52mm diameter. The external unit is chamfered to combat unlawful removal.

The internal and external parts of both the Circular Escutcheon and Cylinder Pull are sold independently. This allows door manufacturers to mix and match colours on the inside and outside of a door and also to mix between the two products if desired, as the fixing centres are common at 38mm.

The external product is attached to the door by through-fixing from the internal half. Colour matched fixings are supplied with the internal product. These fixings are concealed on the Circular Escutcheon beneath a stainless steel clip on cover.

The external products include a flange to prevent cylinder extraction.

Benefits at a glance:

- Part of the architeQ range
- Cylinder Pull prevents misuse of key or other furniture
- Mix and match colours and product on same door – no waste
- Flange prevents cylinder removal
- Attractive chamfer detail on Circular Escutcheon aids security
- Through fix from inside with colour-matched fixings
- 25 Year architeQ surface guarantee

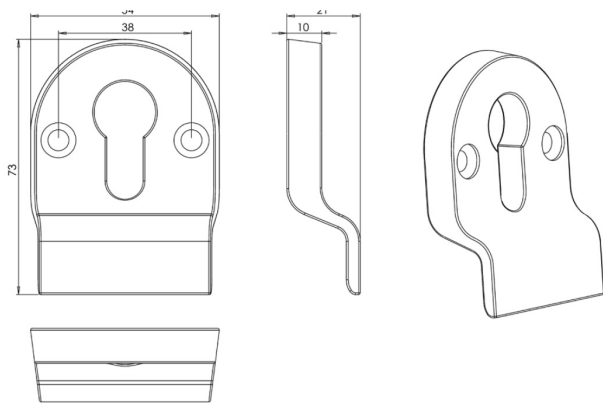
25
Years

Cylinder Pulls & Circular Escutcheons

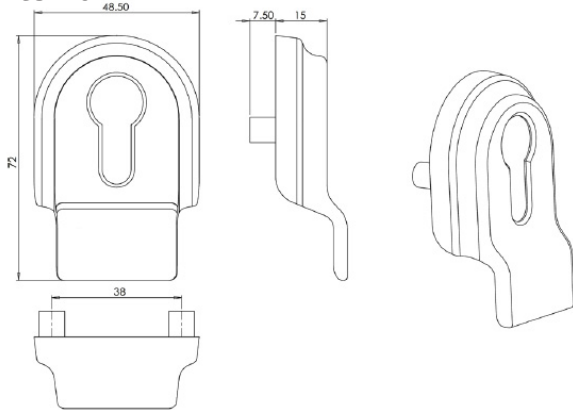
greenteQ

Cylinder Pulls

External



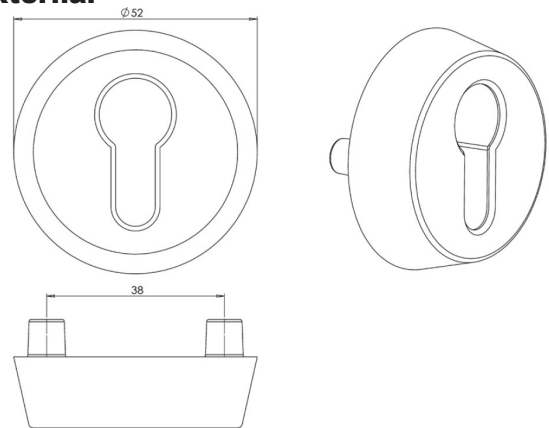
Internal



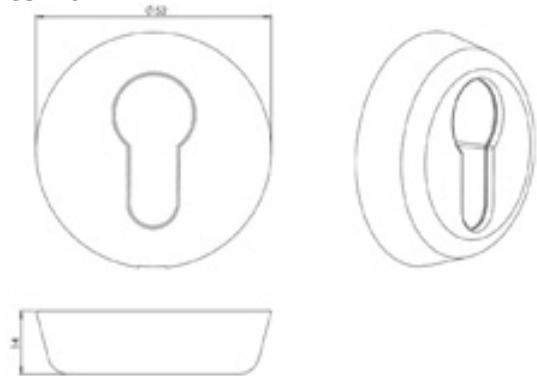
Description	VBH Code	Box Qty
External White RAL 9016	2QDF0201	10
External Black RAL 9005	2QDF0204	10
External PVD Gold	2QDF0205	10
External Polished Chrome	2QDF0206	10
External Polished Stainless Steel	2QDF0208	10
External Brushed Stainless Steel	2QDF0209	10
Internal White RAL 9016	2QDF0221	10
Internal Black RAL 9005	2QDF0224	10
Internal PVD Gold	2QDF0225	10
Internal Polished Chrome	2QDF0226	10
Internal Polished Stainless Steel	2QDF0228	10
Internal Brushed Stainless Steel	2QDF0229	10

Circular Escutcheons

External



Internal



Description	VBH Code	Box Qty
External White RAL 9016	2QDF0241	10
External Black RAL 9005	2QDF0244	10
External PVD Gold	2QDF0245	10
External Polished Chrome	2QDF0246	10
External Polished Stainless Steel	2QDF0248	10
External Brushed Stainless Steel	2QDF0249	10
Internal White RAL 9016	2QDF0261	10
Internal Black RAL 9005	2QDF0264	10
Internal PVD Gold	2QDF0265	10
Internal Polished Chrome	2QDF0266	10
Internal Polished Stainless Steel	2QDF0268	10
Internal Brushed Stainless Steel	2QDF0269	10