

PRODUCT BULLETIN

greenteQ Sigma Flag Hinge



greenteQ

greenteQ Sigma Door Hinge

greenteQ Sigma is a premium quality flag hinge for rebated doors with upstand heights between 13.5 and 26.5mm, utilising either of the two body sizes along with additional packers if required (supplied separately).

The hinge is available in 10 attractive colour options.

Sigma is able to carry sashes of 100kg, and provides a maximum opening angle of 190°.

Adjustment is carried out in three directions with a standard 5mm Allen key. Lateral adjustment of +/- 5mm is available, along with +/- 0.75mm for compression. An additional compression adjustment of +/- 0.75mm can be achieved by rotating the pin bush during assembly. Height adjustment of +/- 1mm is possible, whilst any gap between the sash and frame parts is hidden by the gap cover.

The Sigma hinge has been styled to match the existing range of greenteQ door furniture and is designed to comply with EN 1935:2002 Single-Axis Hinges Requirements and Test Methods.

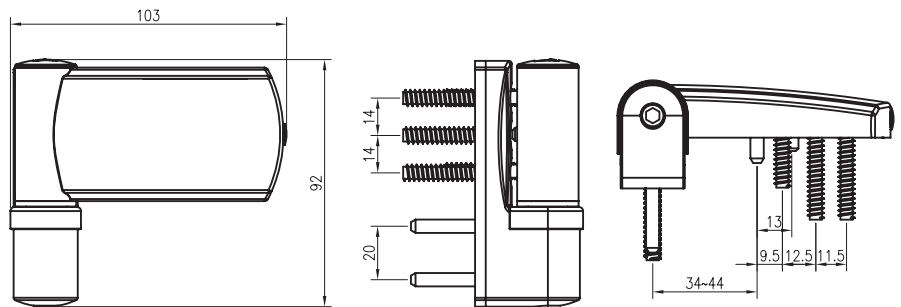
Benefits at a glance:

- 100kg sash weight
- Adjustment gap cover
- Allows up to 190° opening angle
- Full 3D adjustment
- Complies with EN1935:2002 (Classification 475014012)
- Supplied with fixings
- 10 colour options
- Part of the greenteQ suite
- 10 year greenteQ guarantee

greenteQ Sigma Door Hinge



Max sash weight: 100Kg with 2 hinges
 Lateral adjustment: +/-5mm
 Height adjustment: +4/-1mm
 Compression adjustment: +/- 0.75mm
 Complies with EN1935:2002
 Adjustment gap cover
 Allows 190° opening
 Hinges are supplied with all covers and fixings



Upstand	White RAL9016	Brown RAL8019	Tan RAL8003	Black RAL9005	PVD Gold	Box Qty
13.5-16.5mm*	-	2QDH0002	2QDH0003	2QDH0004	2QDH0005	24
18.5-21.5mm*	2QDH0011	2QDH0012	2QDH0013	2QDH0014	2QDH0015	24
Upstand	Polished Chrome	Satin Chrome	Enduro Steel	Antique Black	Anthracite Grey	Box Qty
13.5-16.5mm*	2QDH0006	2QDH0007	2QDH0009	2QDH0010	2QDH0062	24
18.5-21.5mm*	2QDH0016	2QDH0017	2QDH0019	2QDH0020	2QDH0072	24

*Higher upstands can be catered for by fitting packers under the frame body

Sigma Under Packers



Contoured packers have a flat base and contoured top to sit between hinge and profile.

If the door profile has an upstand greater than the contoured packer provides, a flat packer can also be fitted to provide an additional 3mm.

Description	VBH Code	Box Qty
1mm Contoured Packer White	2QDH0021	100
2mm Contoured Packer White	2QDH0022	100
3mm Contoured Packer White	2QDH0023	100
5mm Contoured Packer White	2QDH0025	100
3mm Flat Packer White	2QDH0029	100
1mm Contoured Packer Black	2QDH0031	100
2mm Contoured Packer Black	2QDH0032	100
3mm Contoured Packer Black	2QDH0033	100
5mm Contoured Packer Black	2QDH0035	100

Spares



Description	VBH Code	Box Qty
White Cover Pack	2QDH0054	1
Black Cover Pack	2QDH0055	1
Fixing Screw Pack (50/28mm)	2QDH0052	1

Fitting Jig



Description	VBH Code	Box Qty
Aluminium Jig	2QDH0050	1
Plastic Jig	2QDH0051	1