

PRODUCT BULLETIN

Yale Stable Door Lock



Yale Stable Door Lock Set

The Yale Stable Door Lock allows full stable door functionality on new and traditional properties without compromising either the appearance, security or ease of operation of a PVCu or composite door.

PVCu doors can be opened via the locks as one unit, or just the top half can be opened, leaving the bottom locked. Composite doors open as 2 separate leaves, so should be connected using a 3rd party face-fix slide bolt in normal (non-stable door) use.

The 2 PVCu door leaves are held together by a vertical shootbolt that projects from the lower lock into a receiver on the bottom of the top lock. Depending on the design of the profile system the fabricator should choose a bottom lock unit with either a 30mm or 60mm shootbolt projection.

The top unit features a latch and hook on the main gearbox, with an additional hook/linear bolt locking point for security. The bottom unit features a deadbolt and a further hook/linear locking point. The PVCu versions also include a compression cam on both units.

The faceplates are stainless steel (Grade 430/BS EN 10088-2 Grade 1.4016). The composite door version has a 20mm faceplate with rounded ends, with the PVCu locks having a 16mm faceplate that can be cut to length.

The bottom lock is key operated via a turn of the Euro profile cylinder. The cylinder should be shrouded by circular escutcheons or finger pulls for a neat finish. The top lock is standard lever/lever or lever/pad operation (no lever/pad option on composites) so is operated by a standard handle set, suited with the lower door's escutcheon plate of

the same colour. The gearboxes for the top lock are from the proven Lockmaster range.

Stable Door sets are available with a 35mm backset for PVCu doors, and 45mm backset for composite doors.

On PVCu doors, the striker plates are of a '1-Piece' style (one for the top and another for the bottom half), which are used with relevant Mantis 4 profile related packers. The composite version is secured via individual keeps

Benefits at a Glance:

- Full stable door functionality (split or full opening)
- Deadbolt and hook/linear bolt security
- Suits PVCu and composite doors
- 35 and 45mm backsets
- Quick turn locking on lower door (no winding)
- Minimal door furniture required (works with greenteQ Suited furniture)
- Hard wearing stainless steel faceplate
- Benefits from strong and respected Yale branding
- Yale 10 Year mechanical guarantee

VBH codes and technical details are shown overleaf

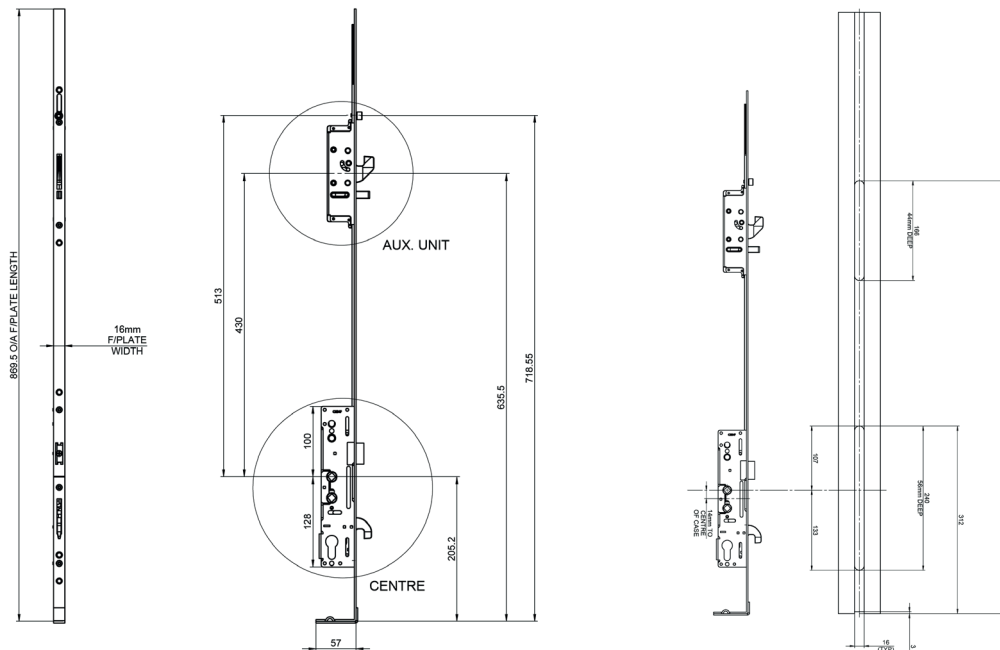
Stable Door Lock Set Yale

PVCu Doors

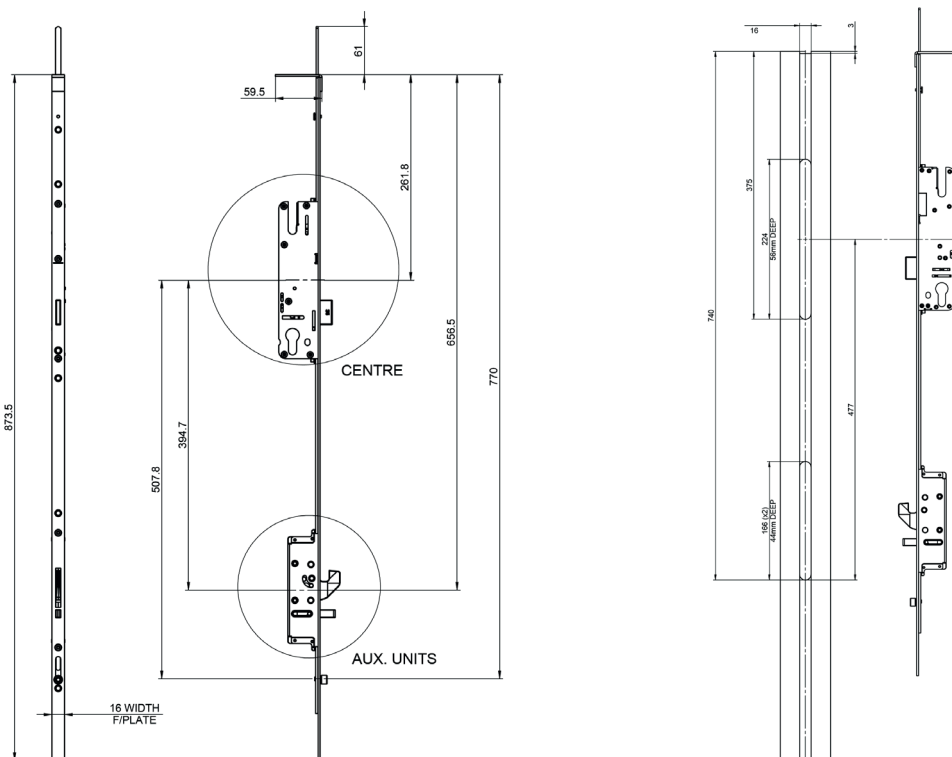
Description	VBH Code	Box Qty
Top Lock Unit	3YDL0200	5
Bottom Lock Unit - 30mm Shootbolt	3YDL0201	5
Bottom Lock Unit - 60mm Shootbolt	3YDL0202	5
Top Door Keep LH (6)*	3YDL0211	5
Top Door Keep RH (6)*	3YDL0212	5
Bottom Door Keep LH (5)*	3YDL0213	5
Bottom Door Keep RH (5)*	3YDL0214	5
Shootbolt Guide for Bottom Door	3YDL0220	5

*Figure in brackets denotes the quantity of profile related underpackers required.

Top Lock



Bottom Lock

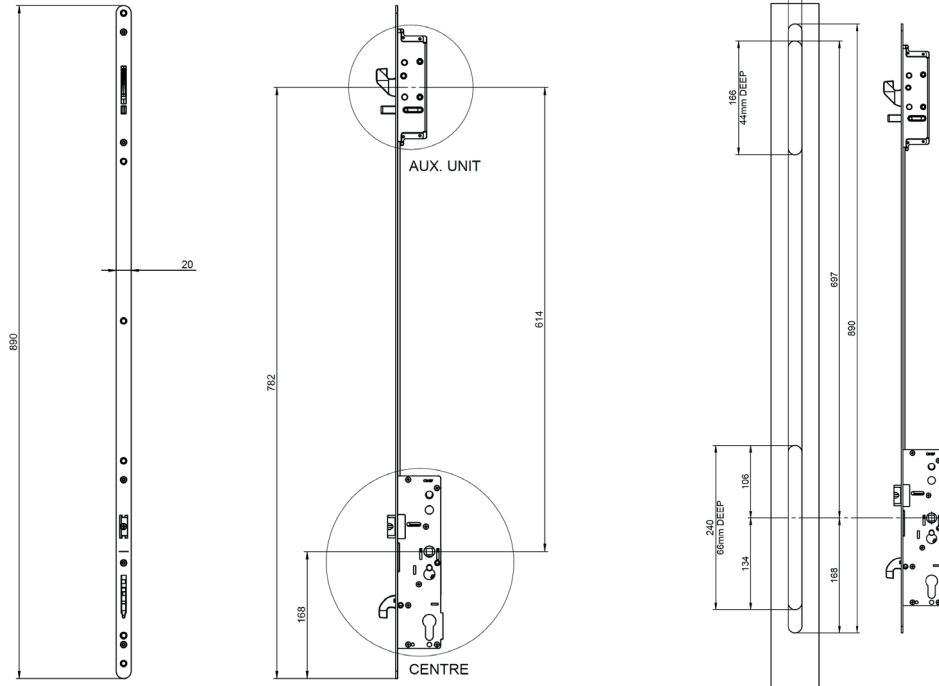


Stable Door Lock Set Yale

Composite Doors

Description	VBH Code	Box Qty
Top Lock Unit	3YDL0203	5
Bottom Lock Unit	3YDL0204	5
Latch/Hook & Deadbolt Plate LH (2 Required)	3YDL0121	5
Latch/Hook & Deadbolt Plate RH (2 Required)	3YDL0122	5
Hook End Keep (2 Required)	3YDL0217	5

Top Lock



Bottom Lock

