



greenteQ ClearLIFT

Lift and Slide Hardware System to Suit Reynaers CP130

Issue 1

greenteQ





Lift & Slide Hardware greenteQ

ClearLIFT

Lift/slide doors are gaining in popularity due to their ability to carry very large and very heavy sashes.

The large glazed areas provide uninterrupted views and maximise the natural light.

Many people prefer the fact that the sashes slide parallel to the side, rather than folding back to 90° as a bi-fold does.

The new greenteQ Clearlift system is the ideal hardware solution for lift/slide doors, as it copes with all the demands of carrying large, heavy elements, and is very easy to fit.

Clearlift can cope with sashes weighing up to 300KG, with a maximum sash width of 3300mm (subject to maximum weight) and height of 2700mm where the systems company's specification allows.

The handle height is set at 1005mm which is the optimum height for easy operation.

The Clearlift drive gear is lockable via a Euro profile cylinder. Depending on the handle used, the fabricator can manufacture a non-locking or lockable door with a handle on the inside only, or a lockable door with handles on the inside and outside.

greenteQ's Aspire lift/slide handle range is the ideal partner for Clearlift, as it offers all the above-mentioned solutions in a choice of 9 attractive colours split over zinc and stainless steel levers. Full details of Aspire are available upon request.

Clearlift has been cycle tested to 25,000 operations.

Tracks are swept by integral cleaning brushes within the bogie assemblies to ensure a smooth sliding action every time.

There is a night vent facility to enable trickle ventilation.

Contact VBH direct for a parts break-down and quotation

Benefits at a glance:

- Carries heavy sashes up to 300Kg
- 3300mm maximum sash width (subject to maximum weight)
- 2700mm maximum sash height
- Choice of operation methods
- 1005mm handle height
- Night vent facility
- Easy lifting operation via Aspire handles thanks to robust sprung mechanism
- Smooth sliding action helped by cleaning brushes
- Built to last – cycle tested to 25,000 operations
- Fabricator and installer friendly
- EN1670 grade 4 corrosion protection
- 10 year greenteQ guarantee
- Clearlift doors are included in the Q-secure consumer security guarantee. See www.qsecure.co.uk

Technical Data

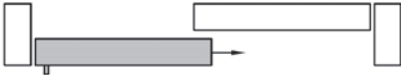
Range of Application Scheme A:
 Sash Width (SW): 820-3330mm (subject to maximum weight)
 Sash Height (SH): 1750-2700mm
 Outer Frame Width: 6500mm
 Sash Weight: 300KG Standard
 Backset (Espag) 37.5mm
 Handle Position:
 Door (SH 1750-2700mm) 1005mm
 Range of application depends on profile system used
 Clearlift doors are included in the Q-secure consumer security guarantee. See www.qsecure.co.uk
 The profile system companys guideline must always be observed

Abbreviations

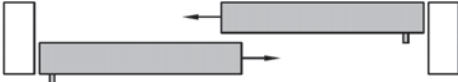
SH = Sash Height
 SW = Sash Width
 HH = Handle Height

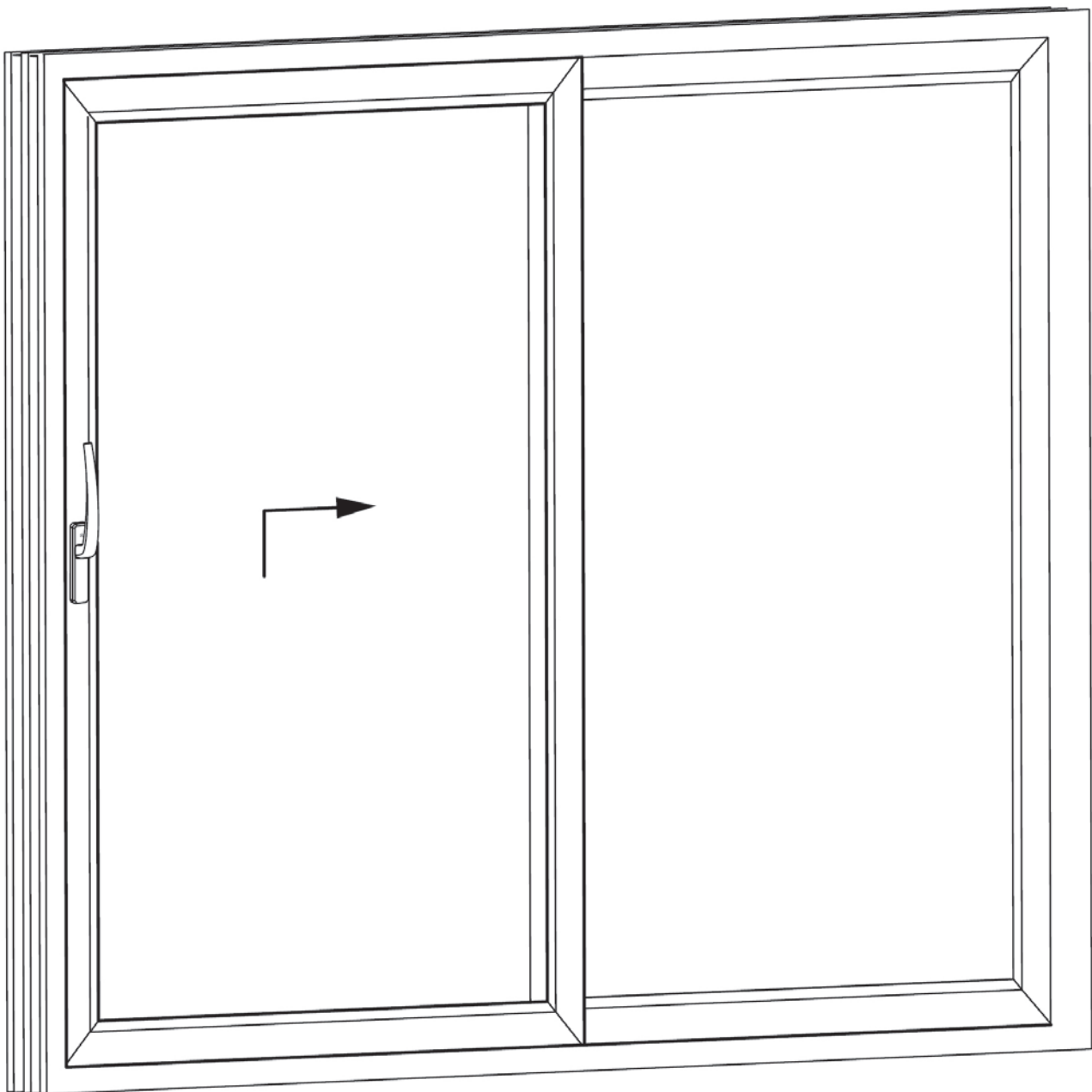
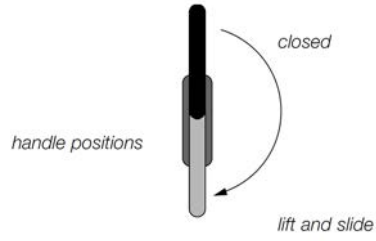
Sash Arrangement

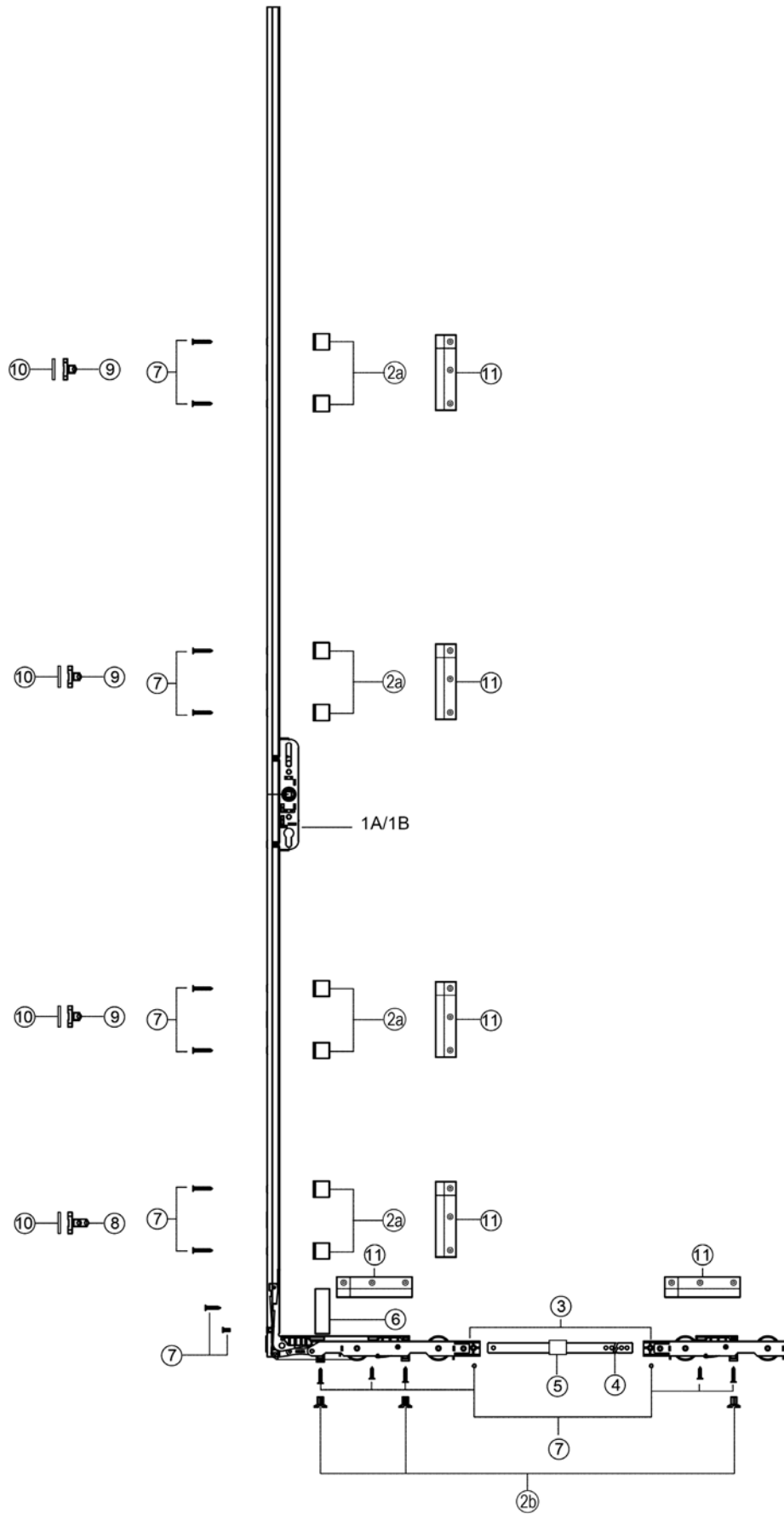
Scheme A



Scheme D







Reynaers CP 130

Pos.	Description	VBH Code	Lkg Points	SW	SH	Qty Req Scheme A	Qty Req Scheme D
1a	ClearLIFT Lock Size 1	4QLS0010	4		1750-2290	1	2
1b	ClearLIFT Lock Size 2	4QLS0011	4		2291-2700	1	2
2*	Distance Block Set for Drive Gear	4QLS0050				1	2
2a	Distance Block for Drive Gear						
2b	Roller Packers						
3	Bogie Set	4QLS0001				1	2
4	Bogie Link Rod	4QLS0020				1	2
5	Link Rod Guide Bracket	4QLS0030				1	2
6	Distance Block for Main Bogie	4QLS0040				1	2
7	Fixing Set for Lock and Bogies	4QLS0100				1	2
8	Night Vent Locking Bolt	4QLS0062				1	2
9	Locking Bolt	4QLS0061				3	6
10	Locking Bolt Packer	4QLS0070				4	8
	Locking Bolt Jig	4QLS0060				1	2
11	Glazing Packer/Fixing Plate	4QLS0110				6	12

*4QLS0050 Contains 2a Distance Block Packer for Drive Gear and 2b Roller Packers x 1 set required

Reynaers CP 130 Scheme A Basic Set - 4QLS0502

Description	VBH Code	Qty Req Scheme A
Bogie set	4QLS0001	1
Link rail support bracket	4QLS0030	1
Distance block for main bogey	4QLS0040	1
Distance block set for lock	4QLS0050	1
Striker Jig	4QLS0060	1
9mm striker	4QLS0061	3
9mm night vent striker	4QLS0062	2
1mm packer	4QLS0070	4
Fixing kit	4QLS0100	1

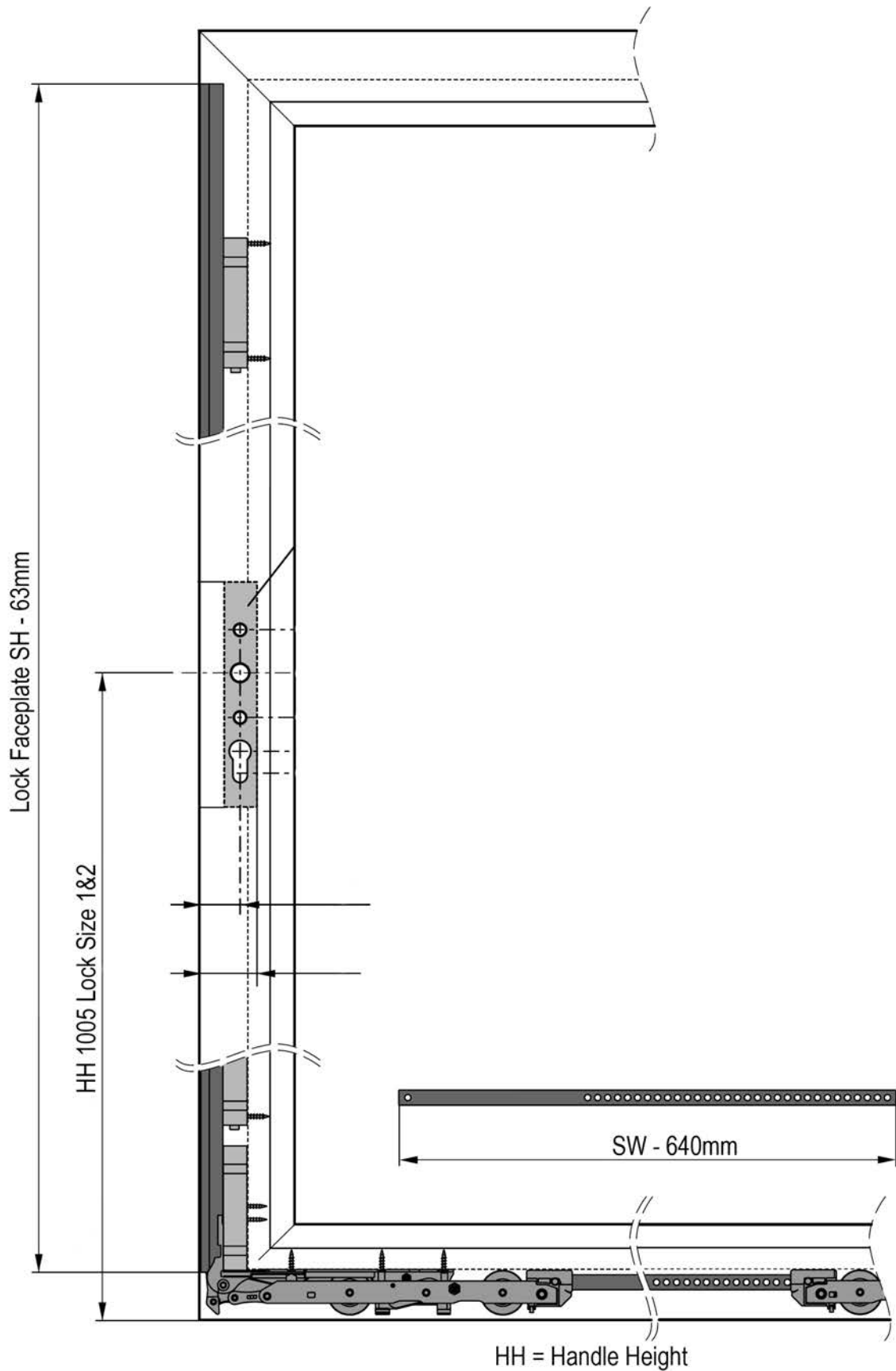
Part numbers required for full Scheme A hardware

- 4QLS0502 Scheme A basic set x 1
- 4QLS0010 or 4QLS0011 Lock (depending on height required) x 1
- 4QLS0020 Bogie Link Rod x 1
- 4QLS0110 Glazing packer/fixing plate x 6 (quantity is for sliding sash only)

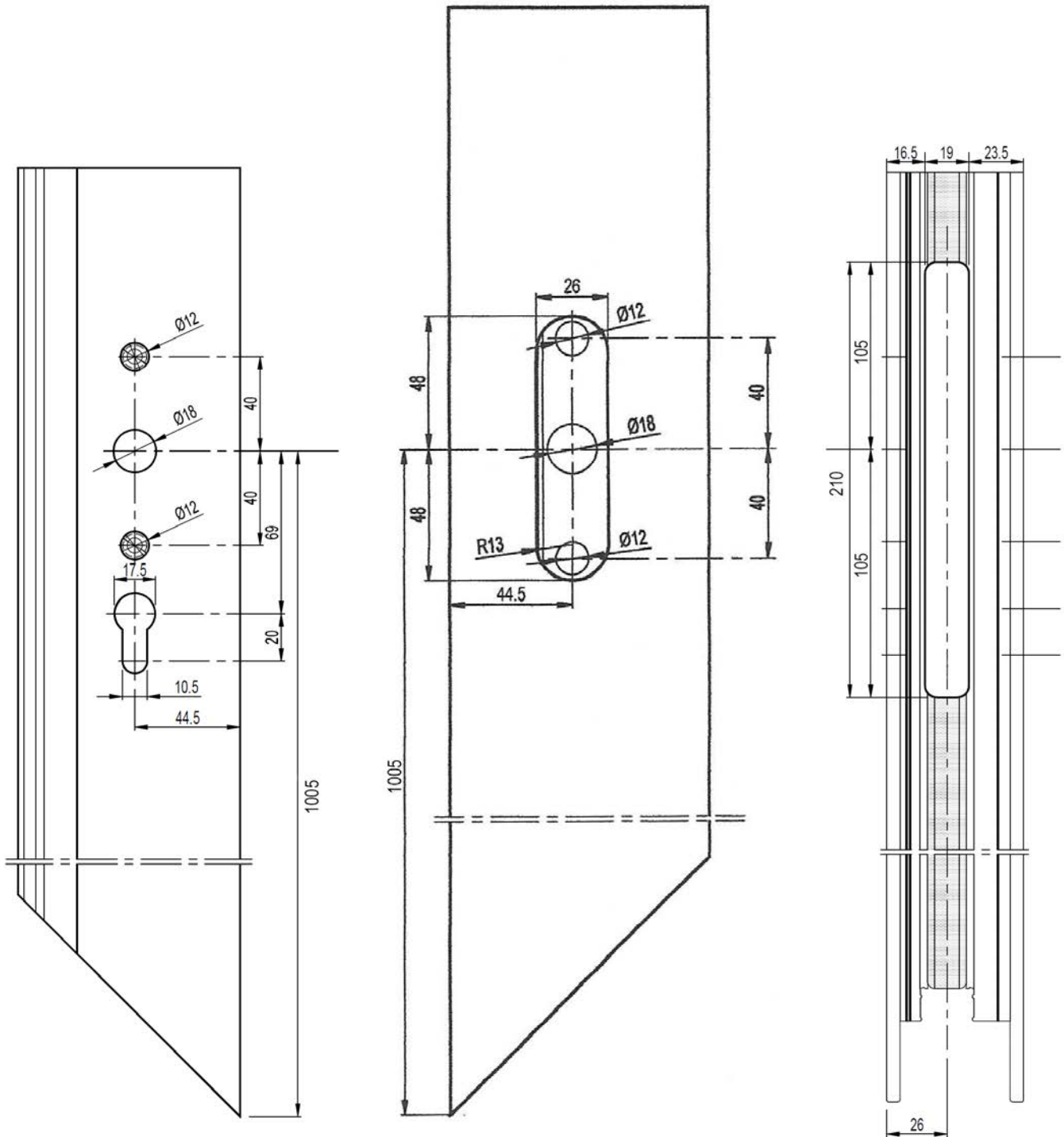
Part numbers required for full Scheme D hardware

- 4QLS0502 Scheme A basic set x 2
- 4QLS0010 or 4QLS0011 Lock (depending on height required) x 2
- 4QLS0020 Bogie Link Rod x 2
- 4QLS0110 Glazing packer/fixing plate x 12 (quantity is for sliding sash only)

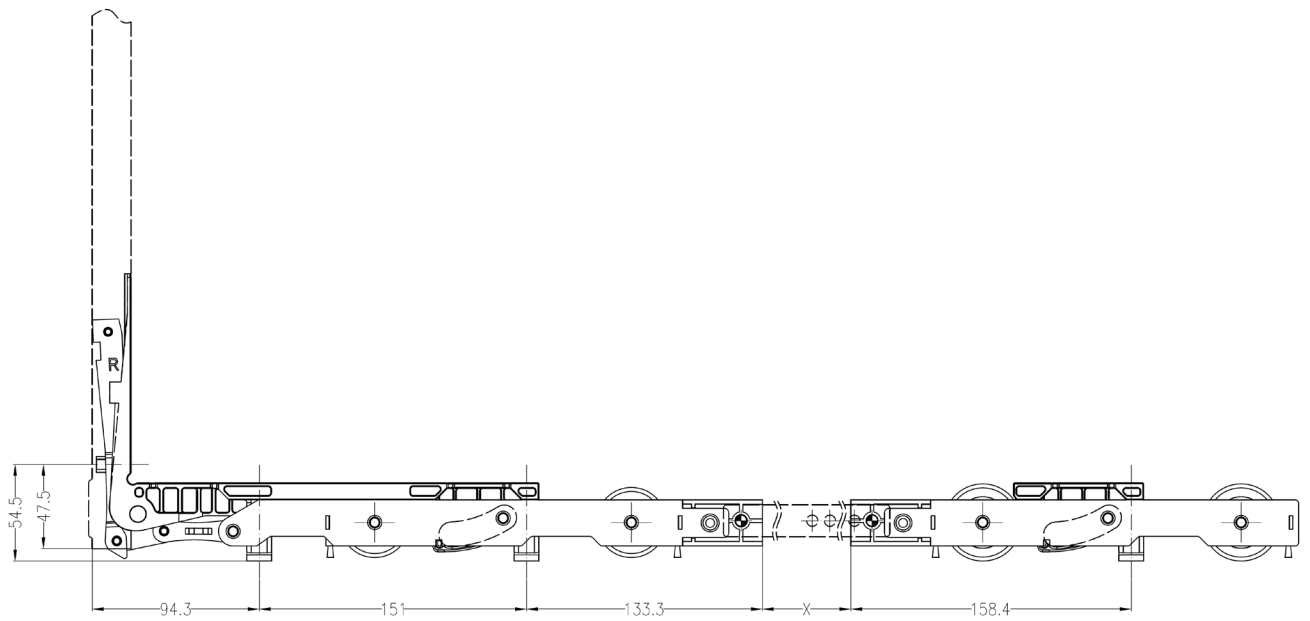
Reynaers CP 130



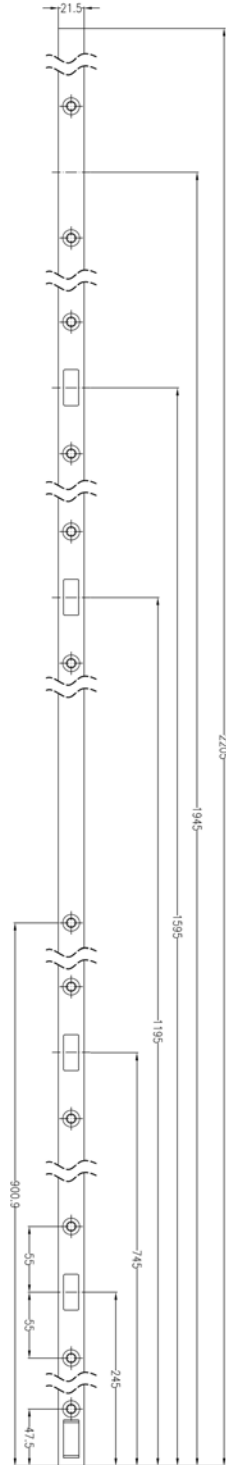
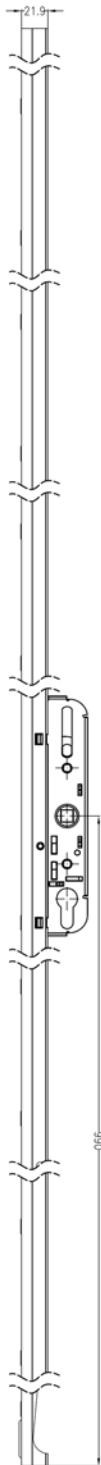
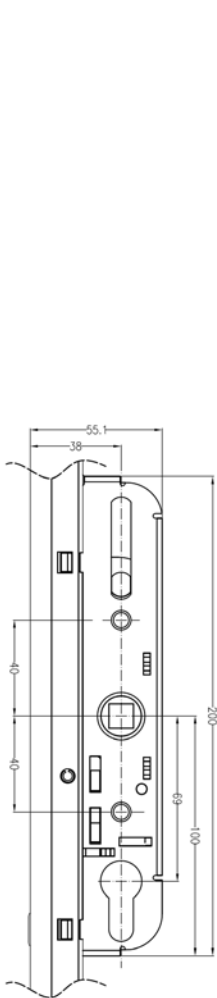
Sash Prep for Handle



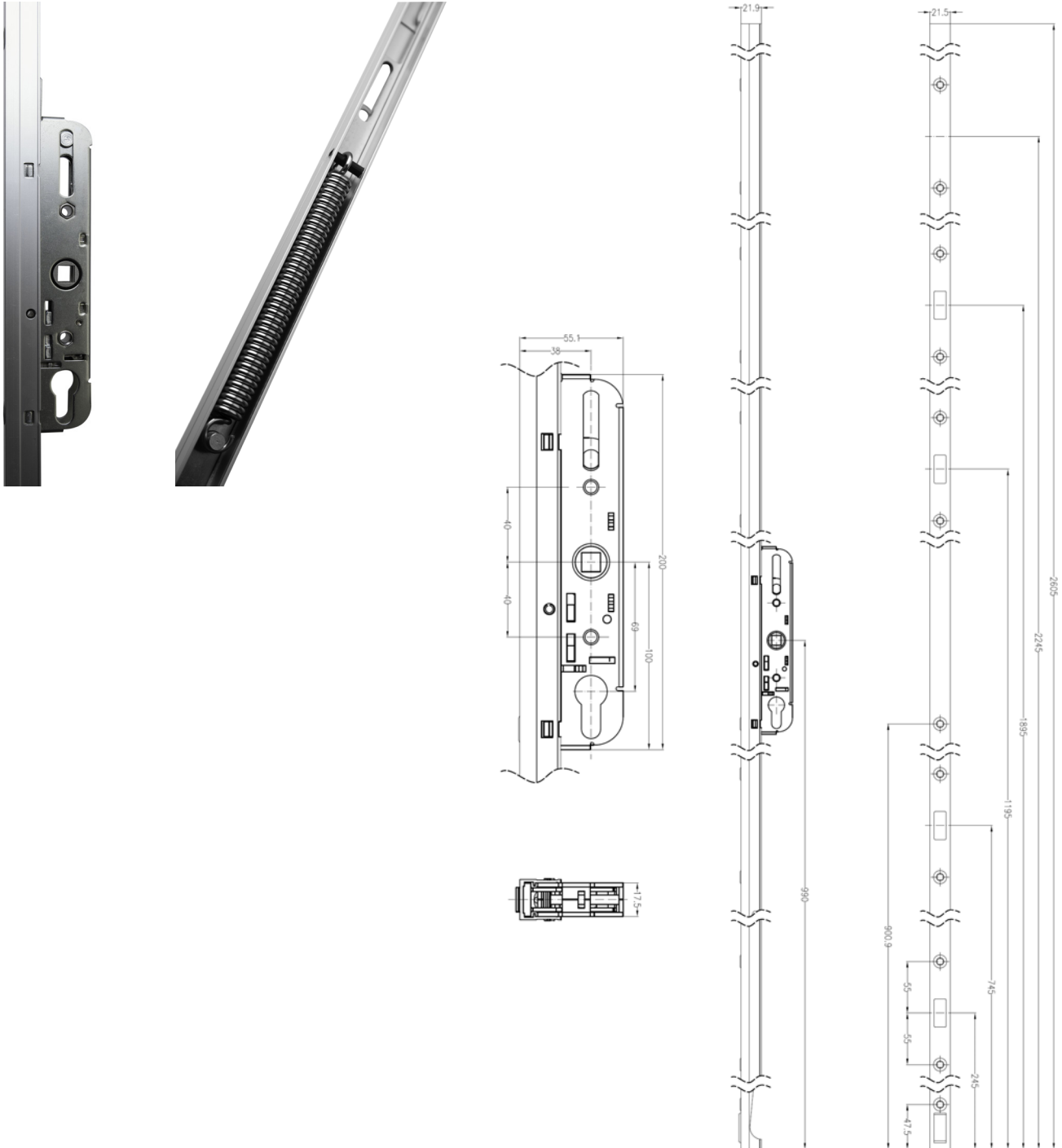
Bogie Set - Dimensions - Position 3 - 4QLS0001



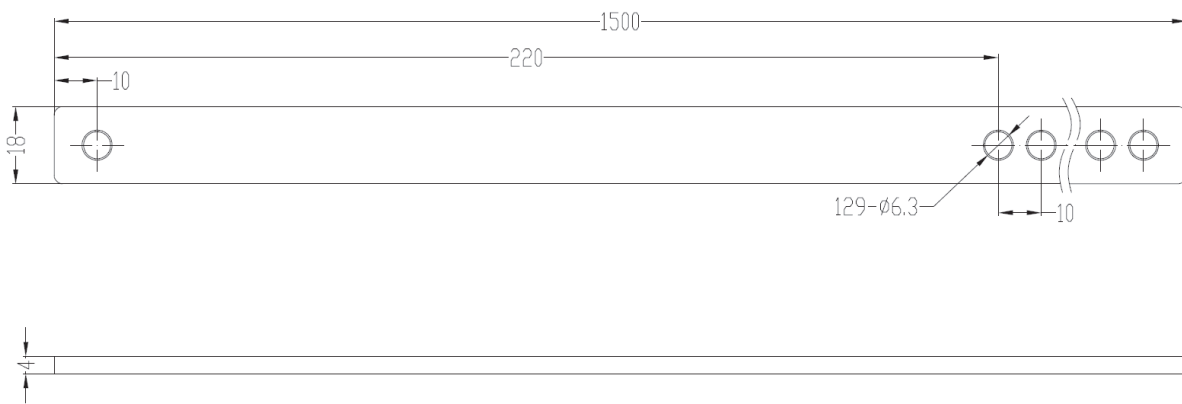
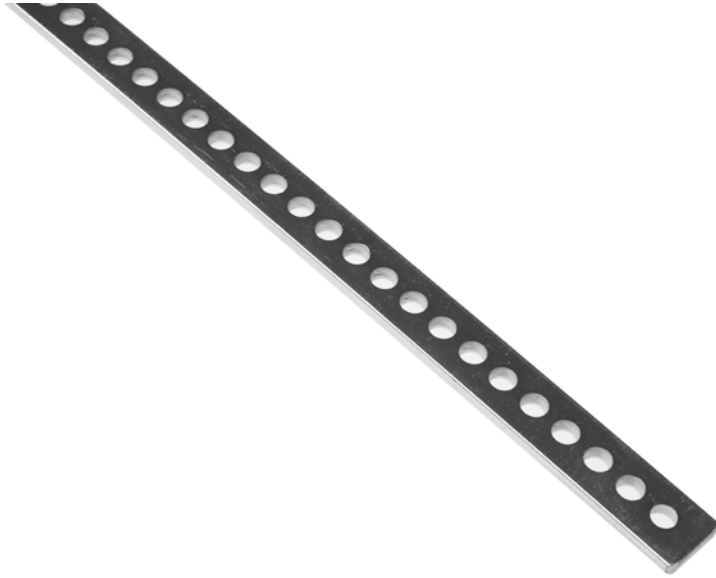
Lock Dimensions - Position 1a - 4QLS0010



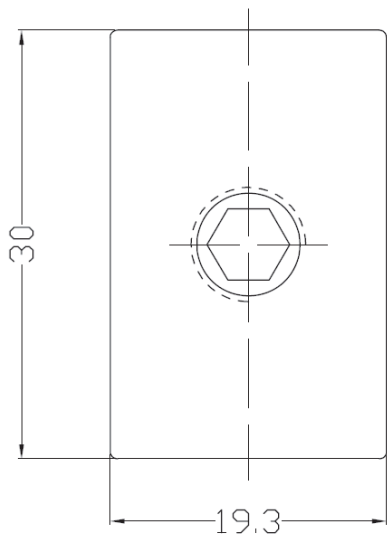
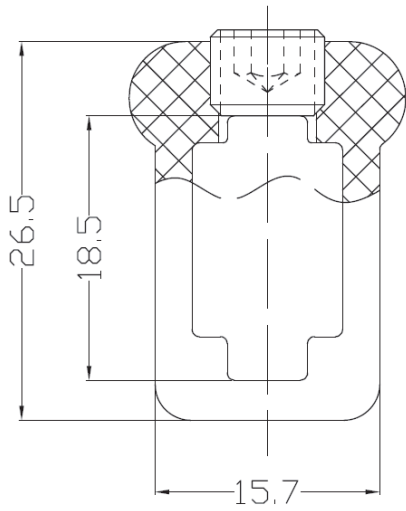
Lock Dimensions - Position 1b - 4QLS0011



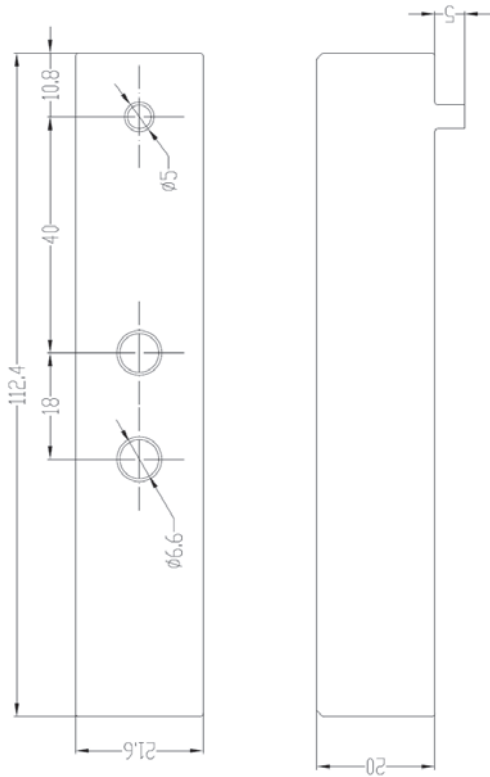
Link Rod Dimensions - Position 4 - 4QLS0020



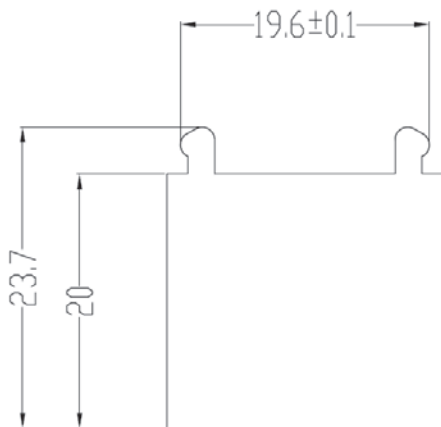
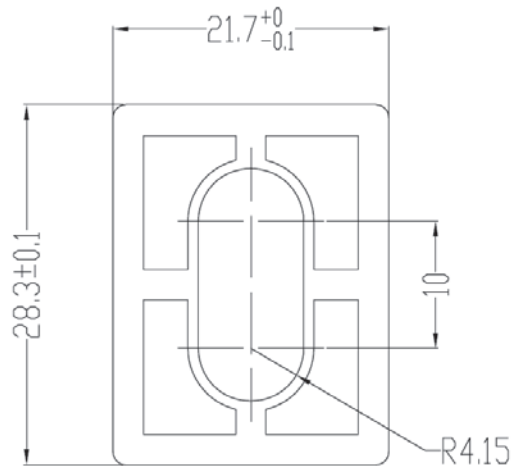
Link Rod Guide Bracket Dimensions - Position 5 - 4QLS0030



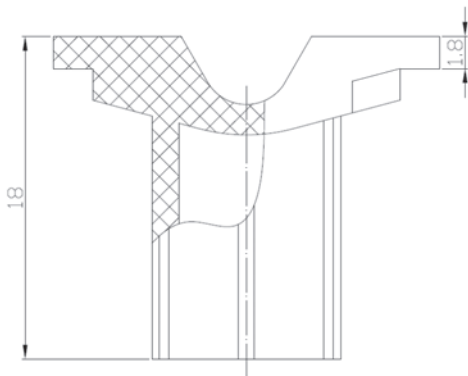
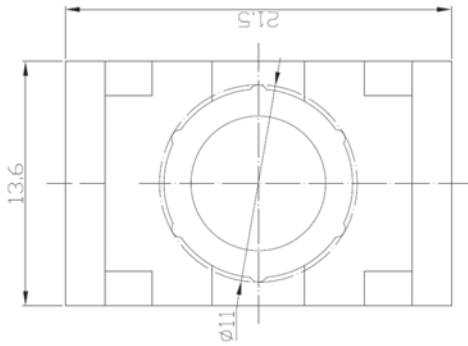
Main Bogie Distance Block Dimensions - Position 6 - 4QLS0040



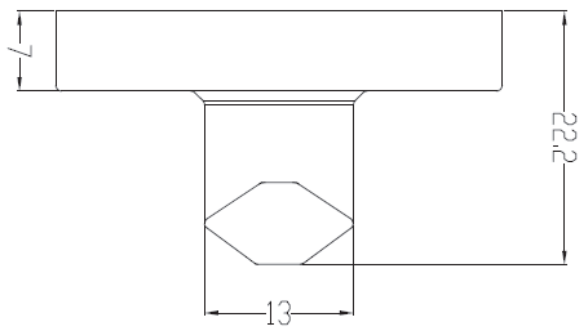
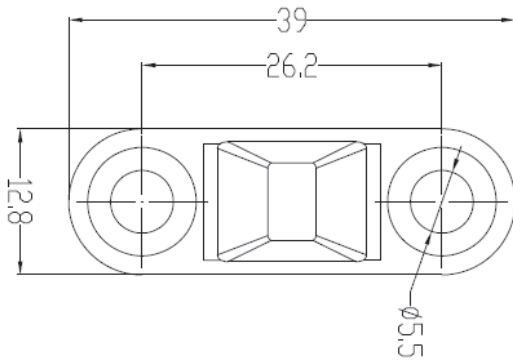
Drivegear Distance Block Dimensions - Position 2a - 4QLS0050



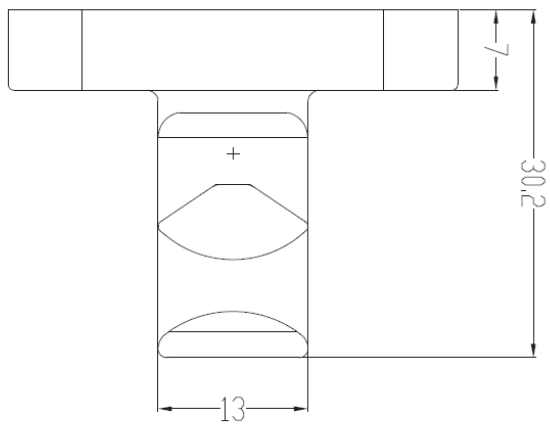
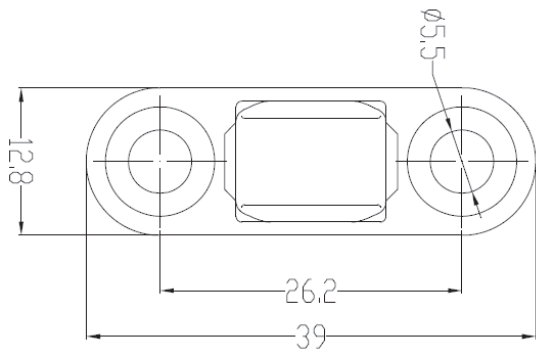
Roller Packer - Position 2b - 4QLS0050

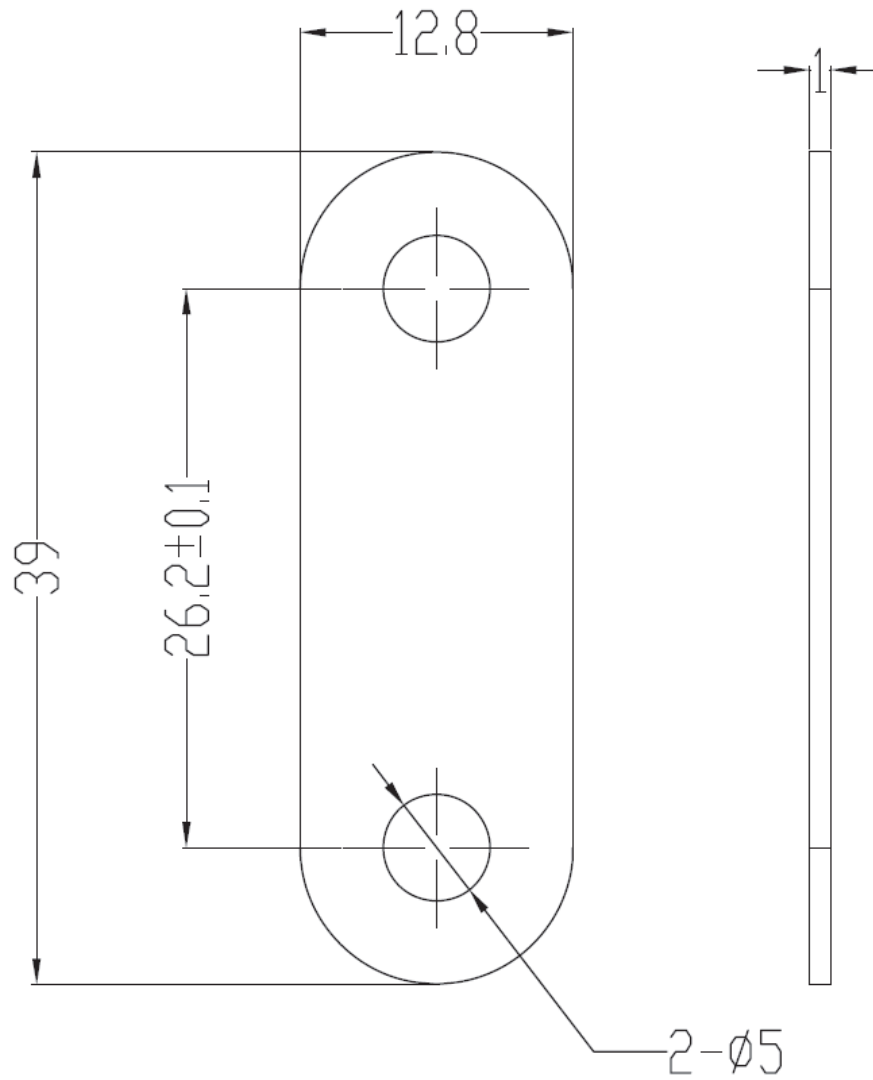


Locking Bolt 9mm - Position 9 - 4QLS0061

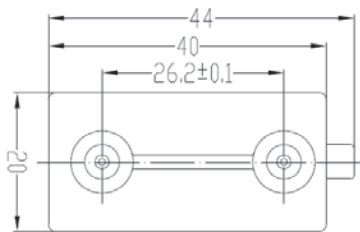
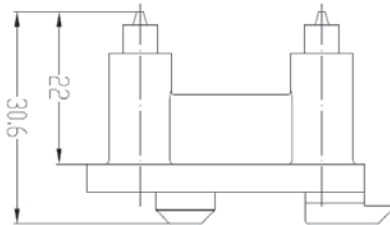
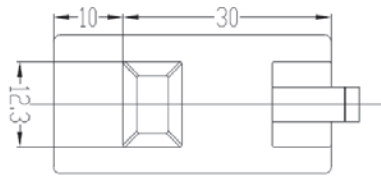


Night Vent Locking Bolt - Position 8 - 4QLS0062



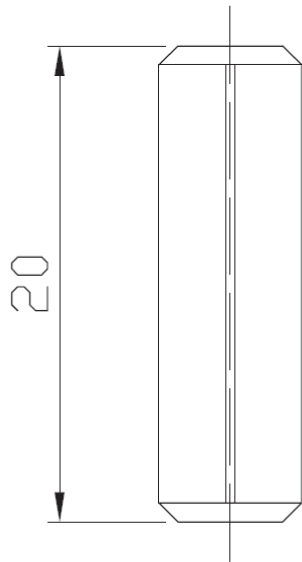
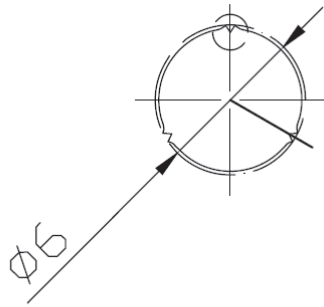


Locking Bolt Jig - 4QLS0060

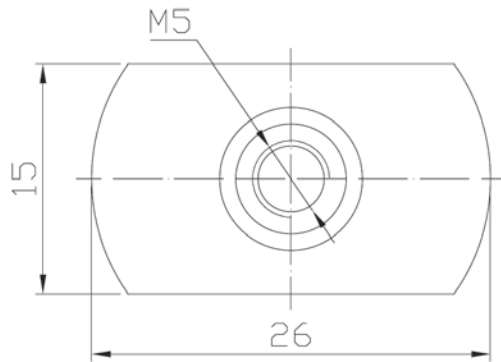
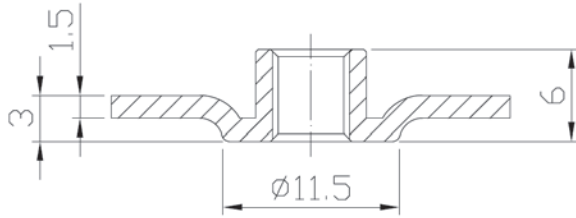




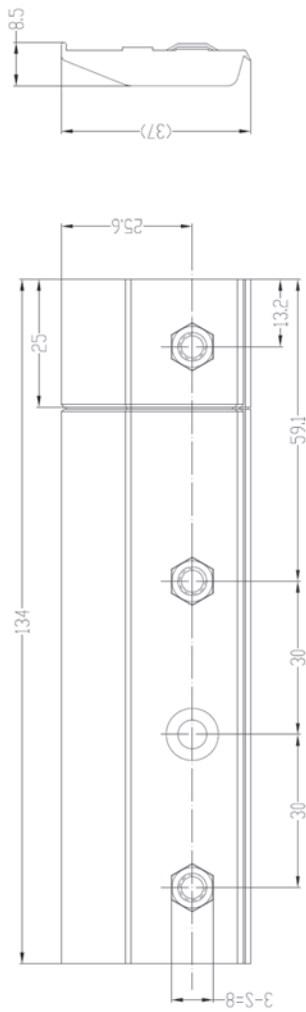
Dowell Pin - Position 7 - Part of 4QLS0100



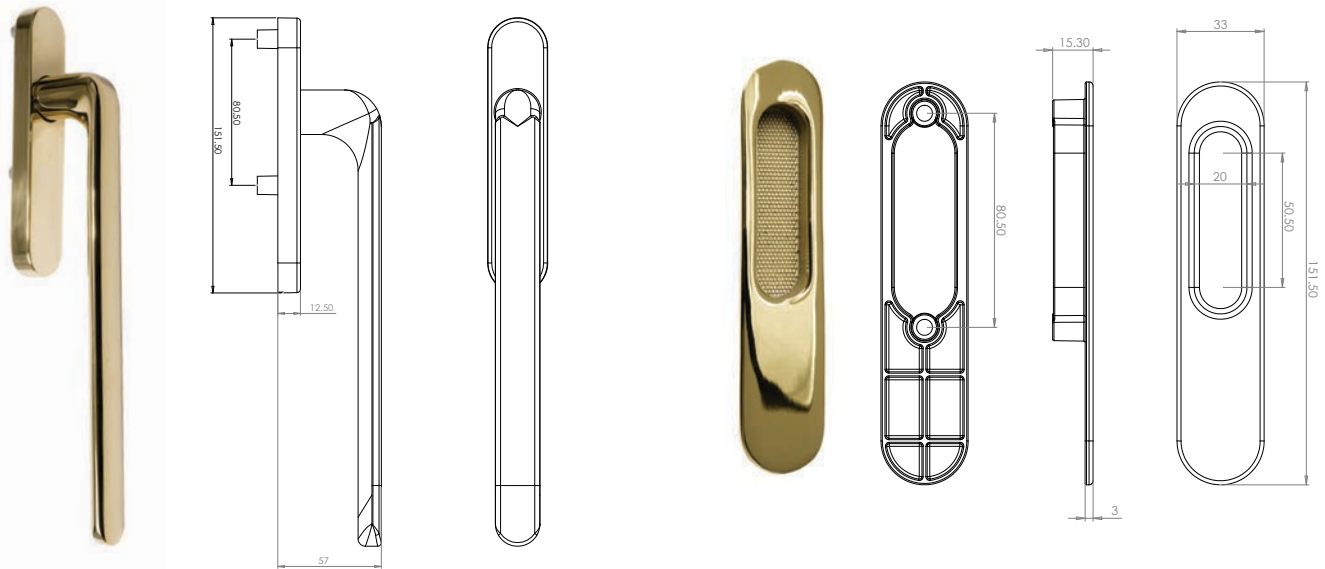
Fixing Plate - Position 7 - Part of 4QLS0100



Glazing Packer/Fixing Plate - Position 11 - 4QLS0110



Aspire Lift / Slide Handle



Perfect handle to operate Clearlift hardware
 Operates heavy lift/slide doors with minimal effort
 Positive location for further ease of use
 Attractive soft lines
 Comfortable feel when in use
 Can be used on inside only, with external finger cup, or as back to back pair for internal and external operation
 Available with or without profile cylinder hole
 Hi-Grip version for extra clearance
 9 attractive finishes including brushed and polished grade 304 stainless steel

Aspire Handle without
Profile Cylinder Hole

Finish	Standard	Hi-Grip
White	2QHB4621	2QHB4721
Anthracite Grey	2QHB4622	2QHB4722
Silver (RAL 7040)	2QHB4623	2QHB4723
Black	2QHB4624	2QHB4724
PVD Gold	2QHB4625	2QHB4725
Satin Chrome	2QHB4627	2QHB4727
Polished S/Steel	2QHB4628	2QHB4728
Brushed S/Steel	2QHB4629	2QHB4729
Brushed Graphite	-	2QHB4730

**Aspire Handle with Profile
Cylinder Hole**

Finish	Standard	Hi-Grip
White	2QHB4601	2QHB4701
Anthracite Grey	2QHB4602	2QHB4702
Silver (RAL 7040)	2QHB4603	2QHB4703
Black	2QHB4604	2QHB4704
PVD Gold	2QHB4605	2QHB4705
Satin Chrome	2QHB4607	2QHB4707
Polished S/Steel	2QHB4608	2QHB4708
Brushed S/Steel	2QHB4609	2QHB4709
Brushed Graphite	-	2QHB4710

Aspire Finger Cup

Finish	VBH Code
White	2QHB4641
Anthracite Grey	2QHB4642
Silver (RAL 7040)	2QHB4643
Black	2QHB4644
PVD Gold	2QHB4645
Satin Chrome	2QHB4647
Polished S/Steel	2QHB4648
Brushed S/Steel	2QHB4649
Brushed Graphite	2QHB4650

Aspire Fixing Kits for Reynears CP130

Finish	VBH Code
Internal handle & External handle	2QHB4667
Internal handle & External finger cup	2QHB4671
Internal handle only	2QHB4681

VBH (GB) Ltd 10 Year Guarantee

10
Years

greenteQ 10-year Guarantee: Our Promise

VBH has every confidence that the greenteQ product range will delight our customers in terms of appearance and performance.

greenteQ products are designed for the UK and European window and door markets to conform to a multitude of standards including BS and EN where applicable. Quality checks are built into the manufacturing processes and supply chain so that reliability leads industry standards.

The 10 year guarantee for performance and reliability is provided subject to the product being fitted and maintained in accordance with VBH guidelines and shall not be subject to stresses and operating forces beyond normal levels.

In the unlikely event of a product failing within the 10 year guarantee period as a result of defective manufacture or design, VBH (GB) Ltd will replace it free of charge or credit its original purchase value. The component must be returned to us or inspected by VBH on site to agree the cause of failure. The credit shall not exceed the original value of the part.

This guarantee does not apply to any mechanical or surface finish fault if it is caused by wilful or neglectful damage or inappropriate chemical contact. It also does not apply to surface finishes if the product is installed in an area of particularly aggressive atmospheric conditions, such as coastal or heavy industrial/polluted environments.

This guarantee does not affect your statutory rights.

greenteQ



For guaranteed performance and long term reliability all products must be installed and maintained* in accordance with the following recommended guidelines.

Window & Door Handles and Furniture

- Handle screws must not be over tightened as this may impair the operation of the hardware.
- All turning points on handles must be lightly lubricated twice per year.
- Surfaces must be regularly cleaned with a soft damp cloth to remove any dust or grime, taking care not to scratch the surface.

Window and Door Hinges

- Ensure that the correct size and type of hinge detailed in the relevant brochure is fitted according to window/door type, size and weight.
- Fixings must be into reinforcement using corrosion resistant screws taking care not to over tighten them.
- All pivot points must be lightly lubricated, fixings checked and the friction stay sliding channel wiped with a clean cloth, twice per year.

Window and Door Locking Mechanisms

- Profile to be routed for gearbox in accordance with hardware manufacturer's guidelines, copies of which are available upon request.
- Excess swarf must be removed.
- Final adjustments should be made after installation to ensure positive engagement of all locking points and smooth closing operation.
- Any build up of dirt on all moving parts must be removed regularly. These points must be lubricated at the same time.

***Simple maintenance kits are available from VBH. Please ask.**



What is the Q-secure guarantee?

We are so confident in the strength and performance of our greenteQ and associated hardware that we will pay your customers if they are broken into via your windows, doors or patios if the intrusion is caused by the failure of a product covered by the guarantee.

What does Q-secure give your customers?

In the event of a break-in where access has been gained due to a hardware failure VBH will:

- Pay up to £1750 towards the cost of employing an emergency locksmith, glazier or boarding up company in the immediate aftermath of a break-in.*
- Pay up to £3000 towards the cost of repairing or replacing the door or window*
- Pay up to £2000 towards the customer's insurance excess payment*
- We will make a goodwill payment of up to £1250 to the customer to alleviate their distress*

Which products are covered by Q-secure?

Look for the Q-secure logo on each page to see which greenteQ products are covered.

As well as the respected greenteQ range we also supply many other top quality brands and we have pulled together the best under Q-secure to provide a selection of hardware that has all been successfully tested to the relevant British Standards PAS24 security test.

Q-secure covers the following products:

Outward Opening Windows -

Locking systems
Handles
Friction stays
Friction stay security devices

Residential Doors -

Multi-point locks
Profile cylinders
Hinges
Handles
Letterboxes
Knockers

Tilt & Turn Windows -

Perimeter locking hardware
Handles

Patios -

Clearspan bi-folding door gear
ClearLIFT/Slide Door Gear
Inline Sliding Door Gear

Please contact us or visit www.qsecure.co.uk for further details

*Terms and conditions apply

VBH Great Britain

Head Office

England (except SW)

VBH House
Bailey Drive
Gillingham Business Park
Gillingham
Kent
ME8 0WG

Tel: +44 (0)1634 263263 (General)
Tel: +44 (0)1634 263300 (Sales)
Email: sales@vbhgb.com

Scotland & Northern Ireland

Unit 13 Hawbank Road
College Milton
East Kilbride
Lanarkshire
G74 5EG

Tel: +44 (0)1355 263326
Fax: +44 (0)1355 239986
Email: sales@vbhgb.com

Wales & South West England

Unit K28
Ashmount Business Park
Upper Fforest Way
Swansea
SA6 8QR

Tel: +44 (0)1792 794566
Fax: +44 (0)1792 798902
Email: sales@vbhgb.com

www.vbhgb.com (main website)
www.qsecure.co.uk (Q-secure website)
www.vbhgb24.com (webshop)
twitter.com/vbhgb
[facebook@vbhgb ltd](https://facebook.com/vbhgb ltd)
[instagram/ vbhgb ltd](https://instagram.com/vbhgb ltd)



Contact us today for **Online Ordering at VBH24**. Visit www.vbhgb24.com to register

Online Orders over £100 are delivered **Free** (on standard delivery to mainland addresses)

All VBH catalogues and much more can be downloaded from www.vbhgb.com